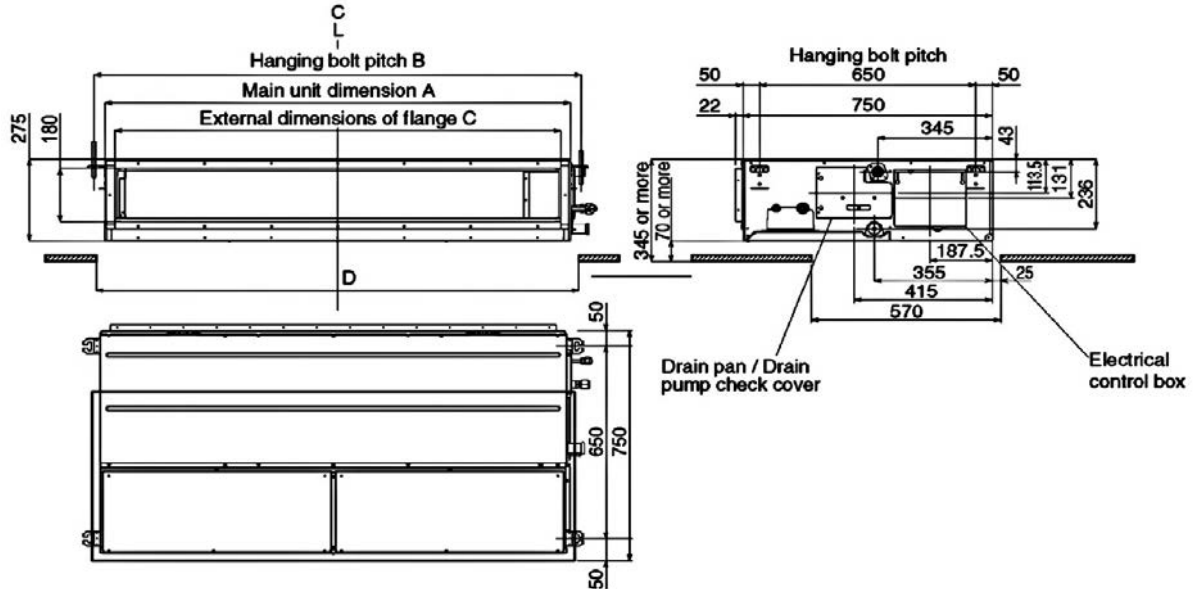


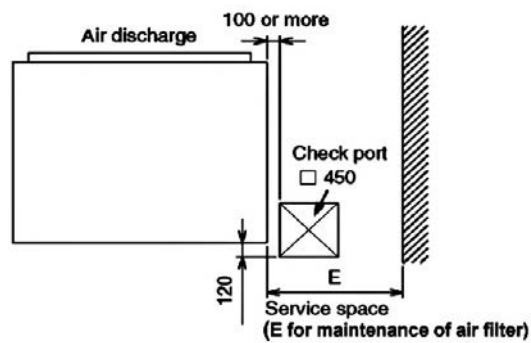
2. CONSTRUCTION VIEWS (EXTERNAL VIEWS)

Indoor Unit



Dimension

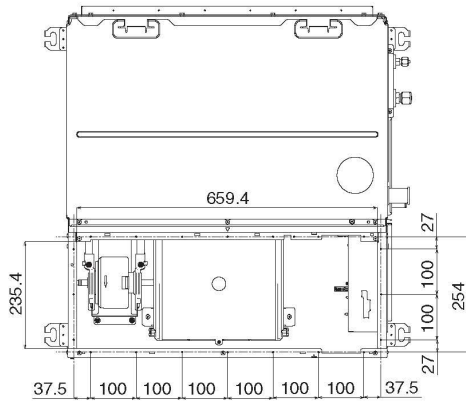
Model	A	B	C	D
0131~0181 type	700	765	640	750
0241~0361 type	1000	1065	940	1050
0401~0601 type	1400	1465	1340	1450



Model	E
0131~0181 type	700
0241~0361 type	500
0401~0601 type	700

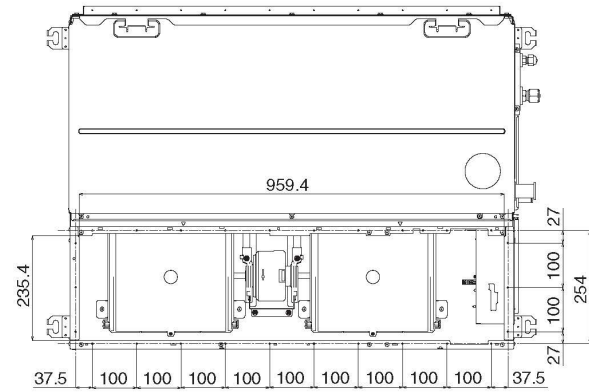
42TGV0131BP, 42TGV0181BP

<Under air intake>

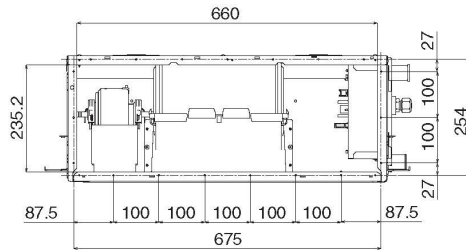


42TGV0241BP, 42TGV0301BP, 42TGV0361BP

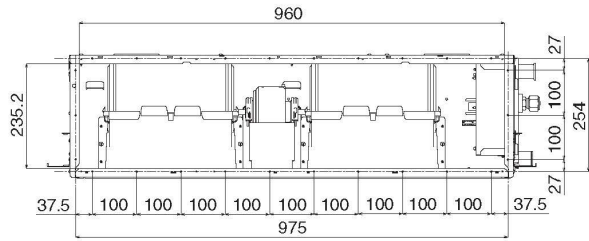
<Under air intake>



<Back air intake>

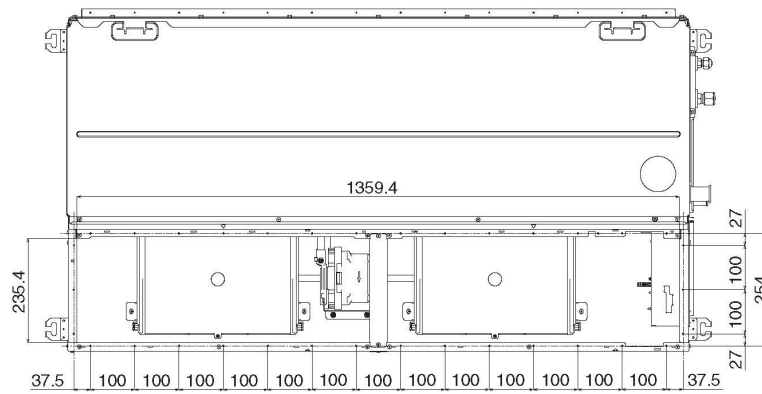


<Back air intake>

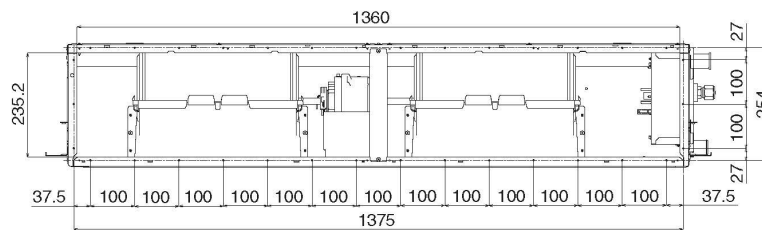


42TGV0401BP, 42TGV0481BP, 42TGV0601BP

<Under air intake>

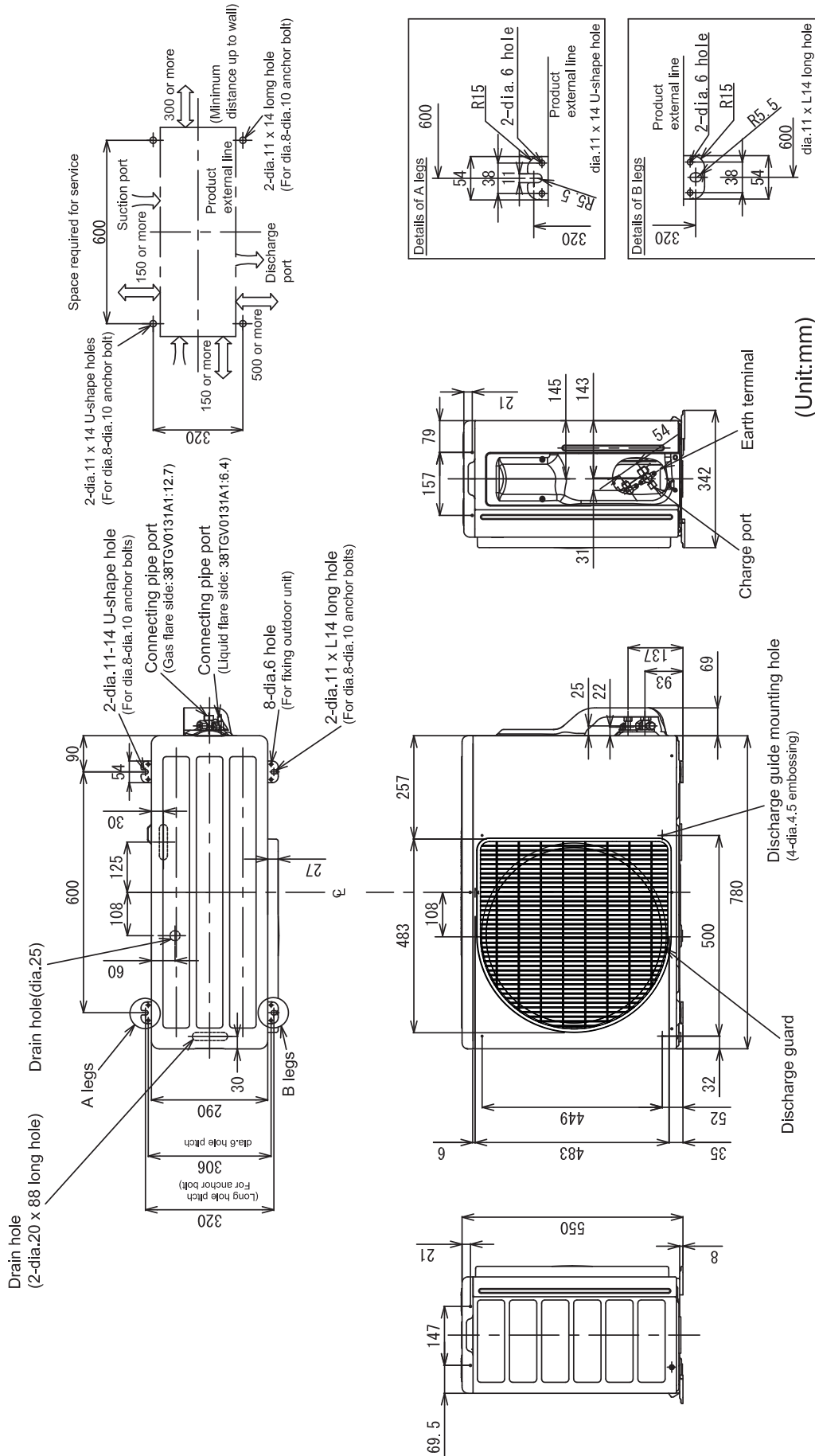


<Back air intake>

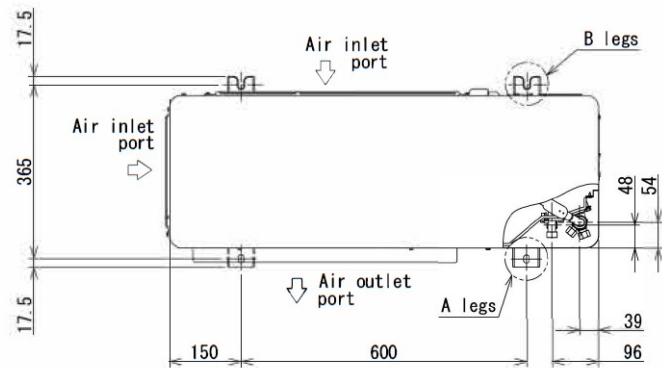


2. CONSTRUCTION VIEWS (EXTERNAL VIEWS)

38TGV0131A1

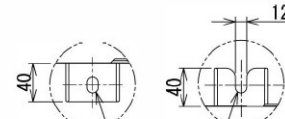


(Unit:mm)



Mounting bolt hole
(dia. 12×17 long hole)

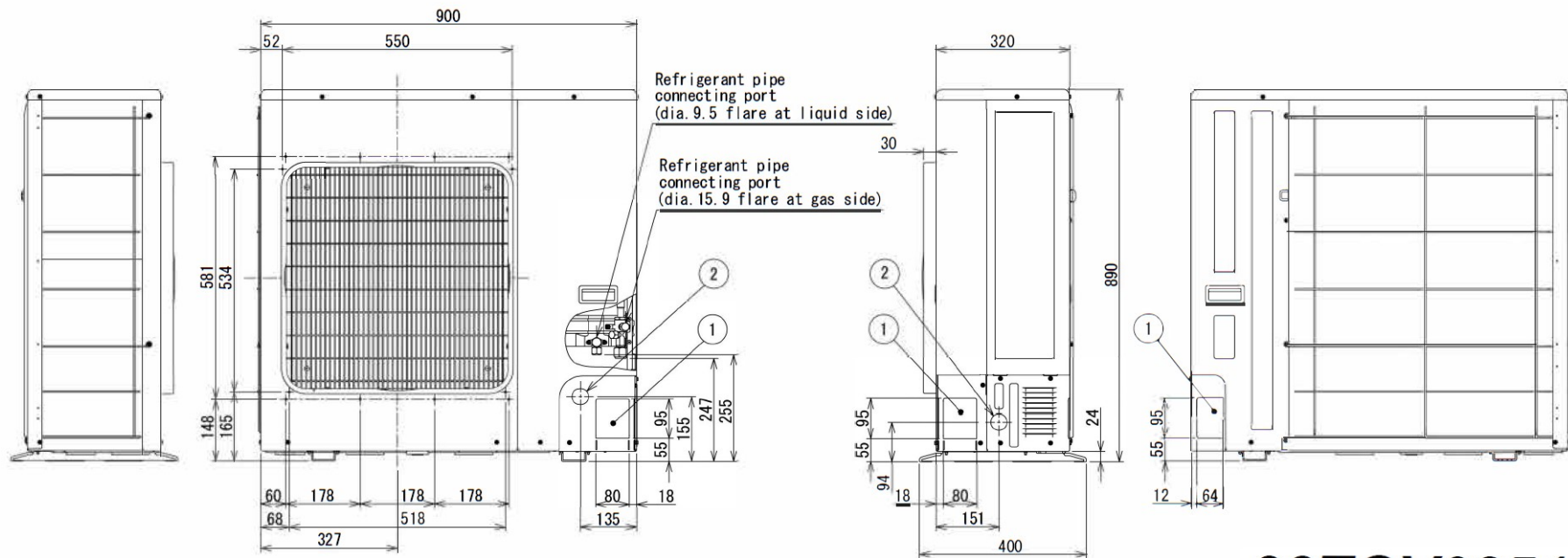
Details of A legs



Mounting bolt hole
(dia. 12×17 U-shape hole)

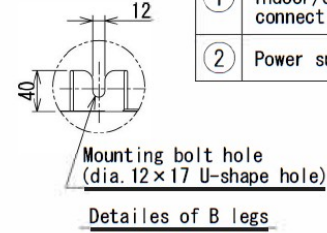
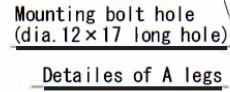
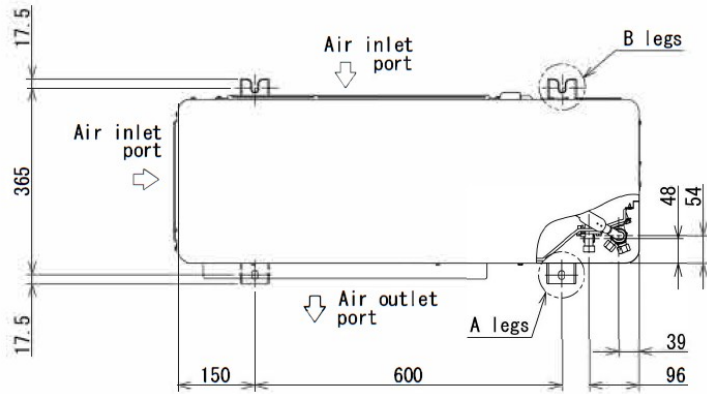
Details of B legs

	Name	Note
①	Refrigerant piping hole Indoor/Outdoor Unit connecting wire inlet hole	—
②	Power supply inlet hole	dia. 38 Knockout hole

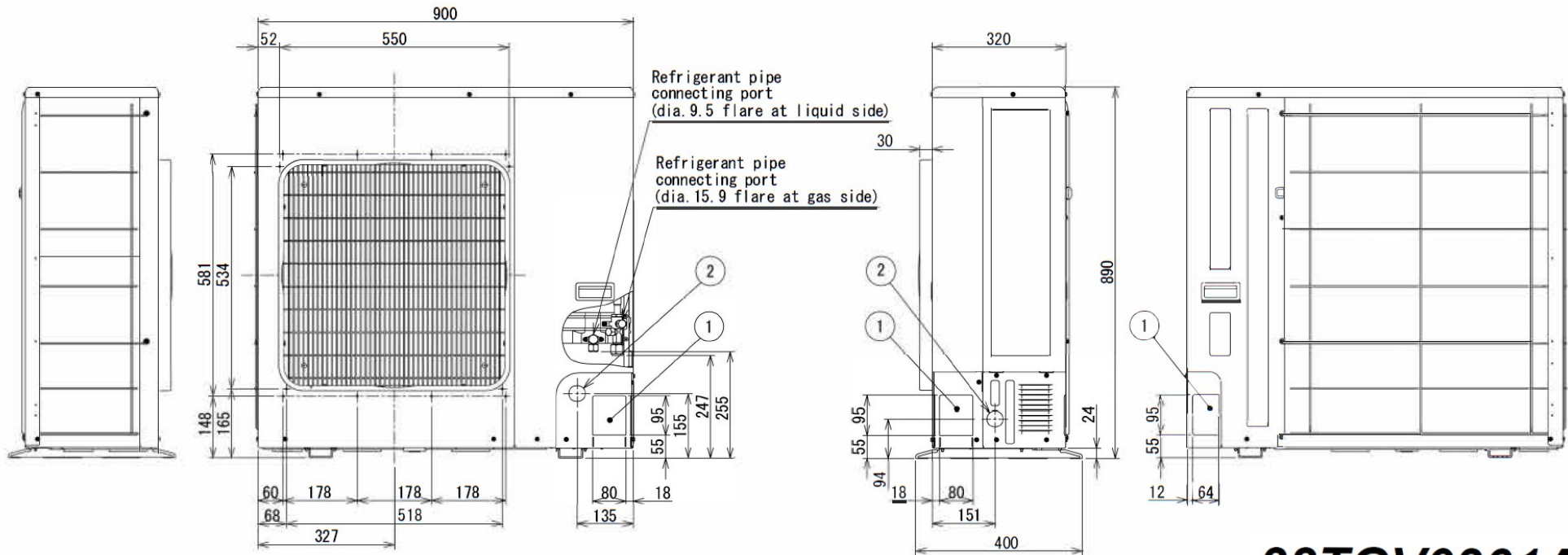


(Unit:mm)

38TGV0251A1
38TGV0301A1
38TGV0361A1
38TGV0401A1

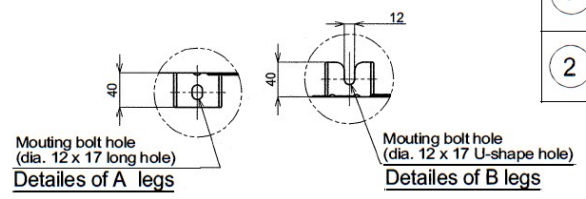
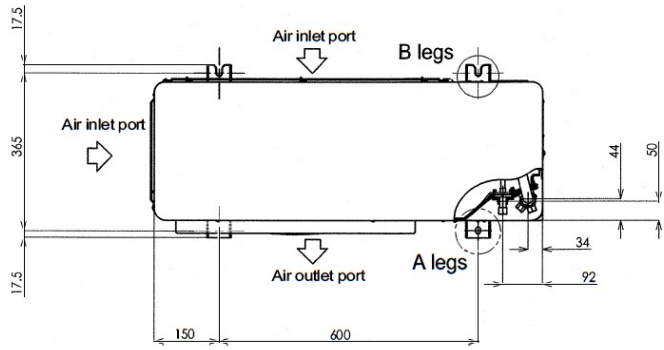


	Name	Note
①	Refrigerant piping hole Indoor/Outdoor Unit connecting wire inlet hole	—
②	Power supply inlet hole	dia. 38 Knockout hole

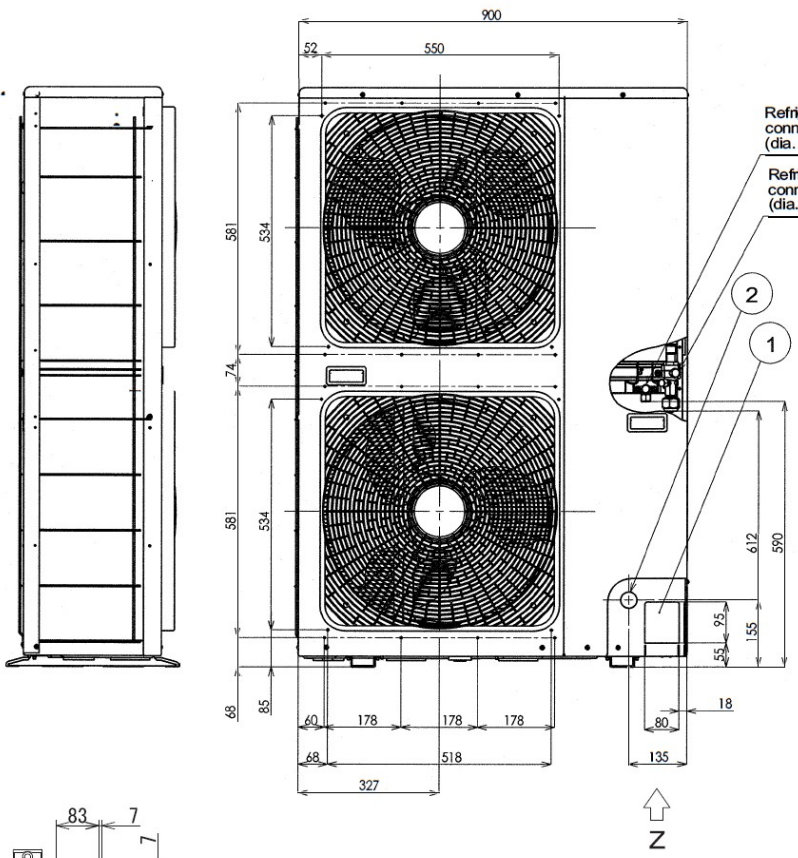


(Unit:mm)

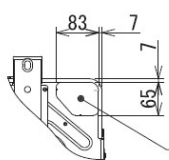
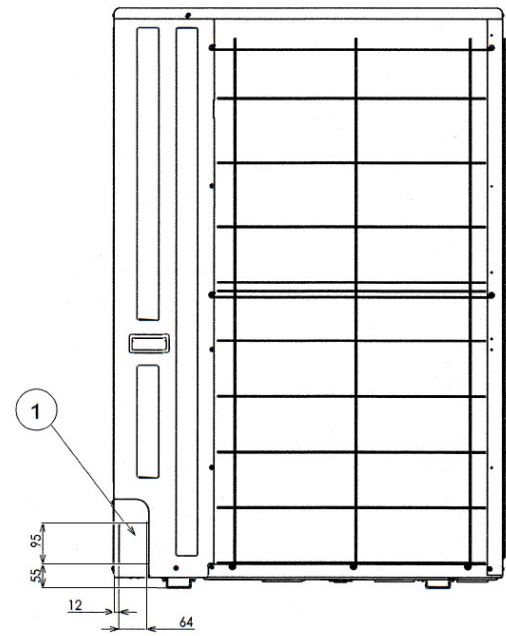
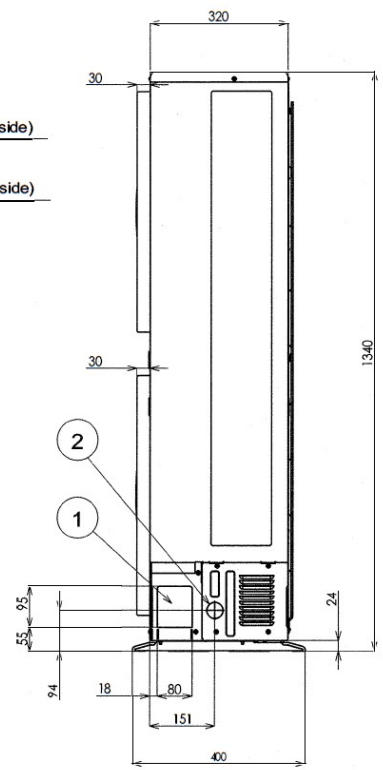
38TGV0361A3
38TGV0391A3
38TGV0401A3
38TGV0481A3



	Name	Note
①	Refrigerant piping hole Indoor/Outdoor Unit connecting wire inlet hole	—
②	Power supply inlet hole	dia.38 Knockout hole



Refrigerant pipe connecting port (dia. 9.5 flare at liquid side)
 Refrigerant pipe connecting port (dia. 19.1 flare at gas side)



Knockout for downward piping

Z views

38TGV0601A3