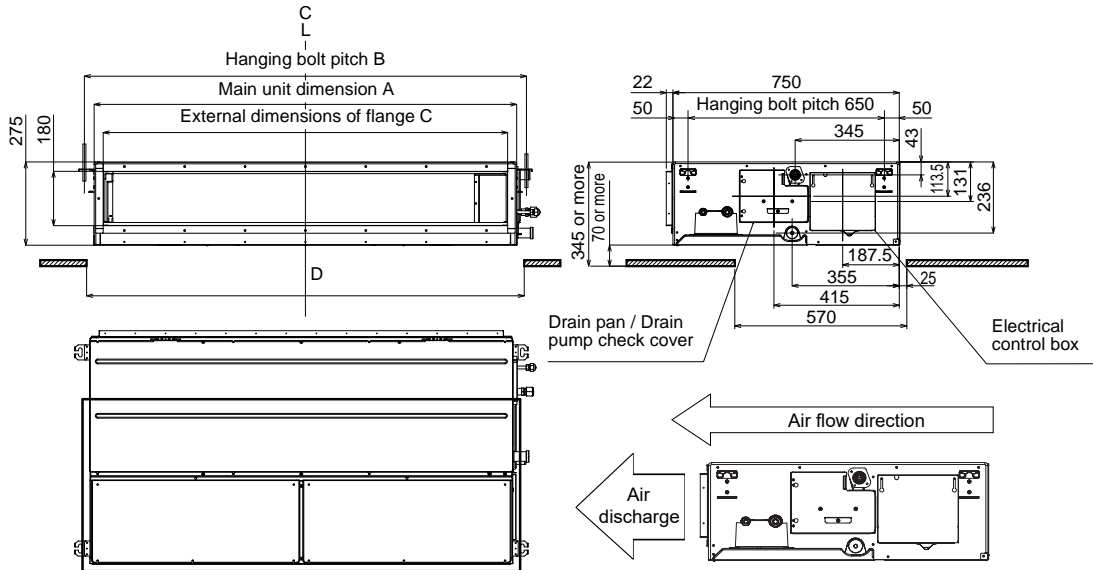


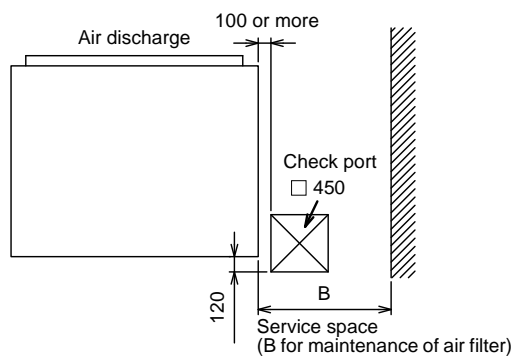
2. CONSTRUCTION VIEWS (EXTERNAL VIEWS)

Indoor Unit



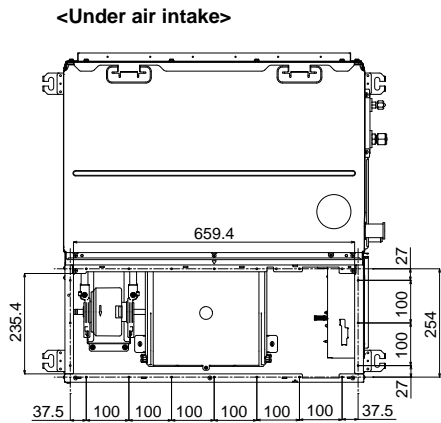
Dimension

42TGF	A	B	C	D
0131BP, 0181BP	700	765	640	750
0241BP, 0301BP	1000	1065	940	1050
0361BP, 0401BP, 0481BP, 0601BP	1400	1465	1340	1450

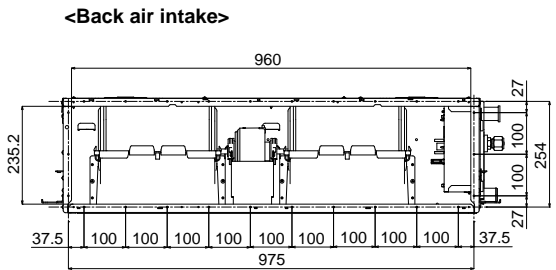
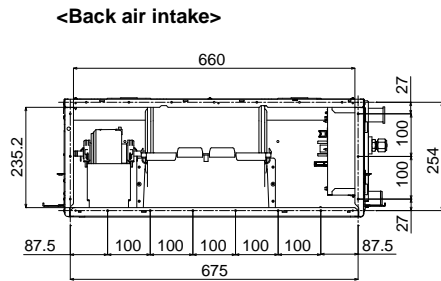
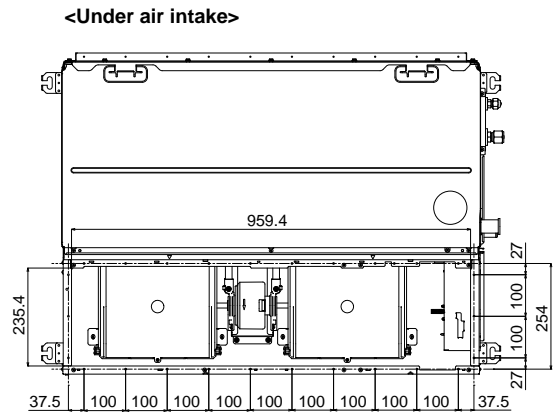


42TGF	E
0131BP, 0181BP	700
0241BP, 0301BP	500
0361BP, 0401BP, 0481BP, 0601BP	700

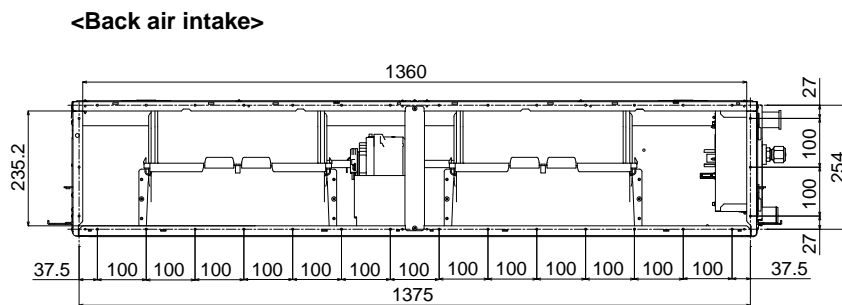
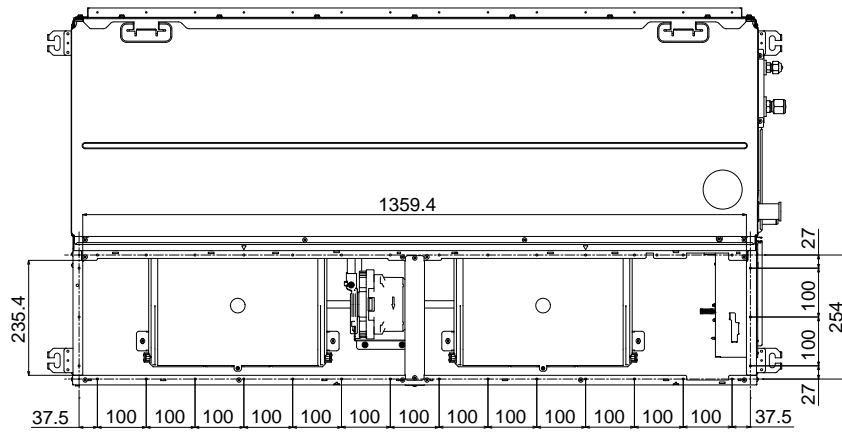
42TGF0131BP, 42TGF0181BP



42TGF0241BP, 42TGF0301BP

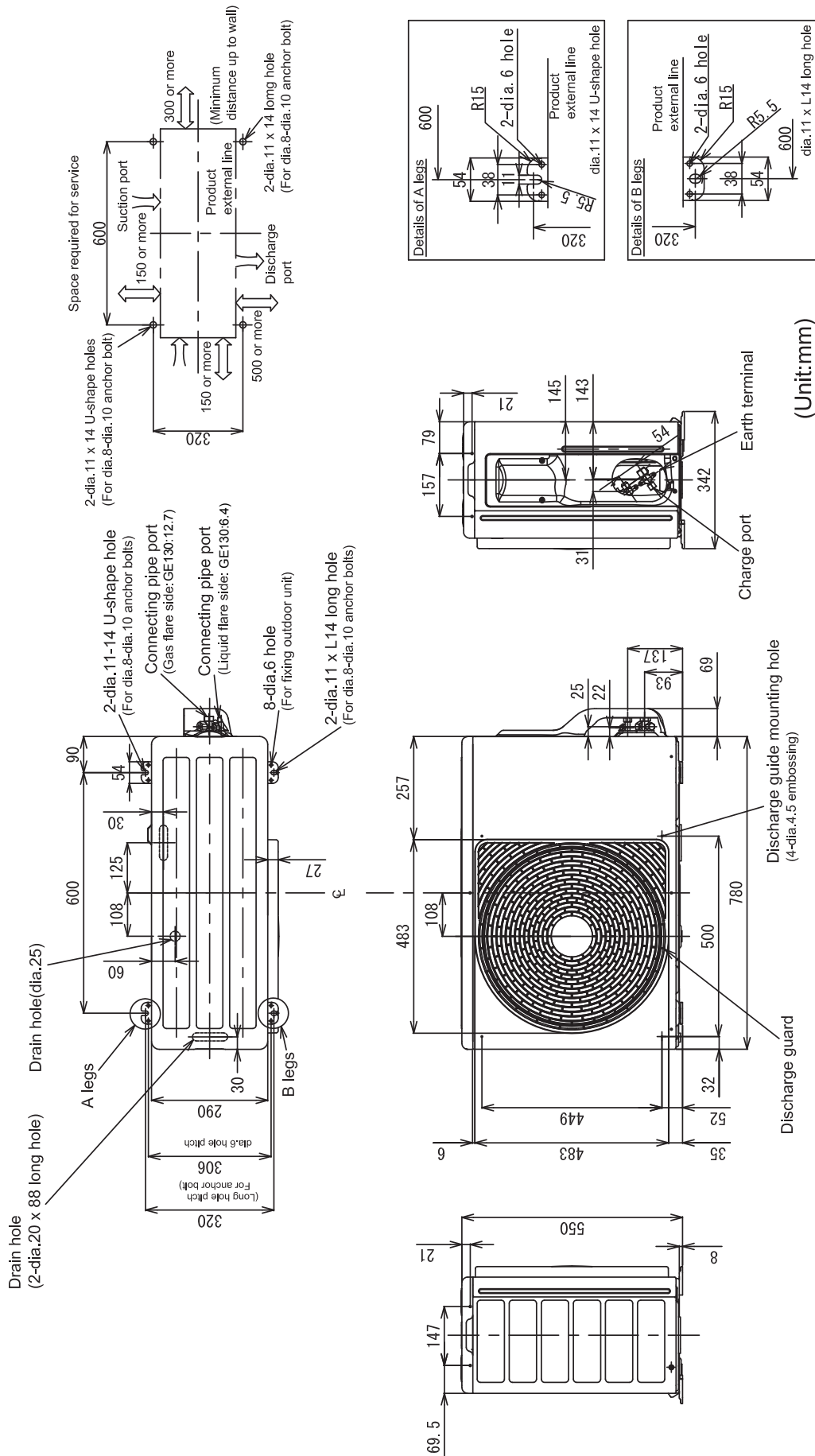


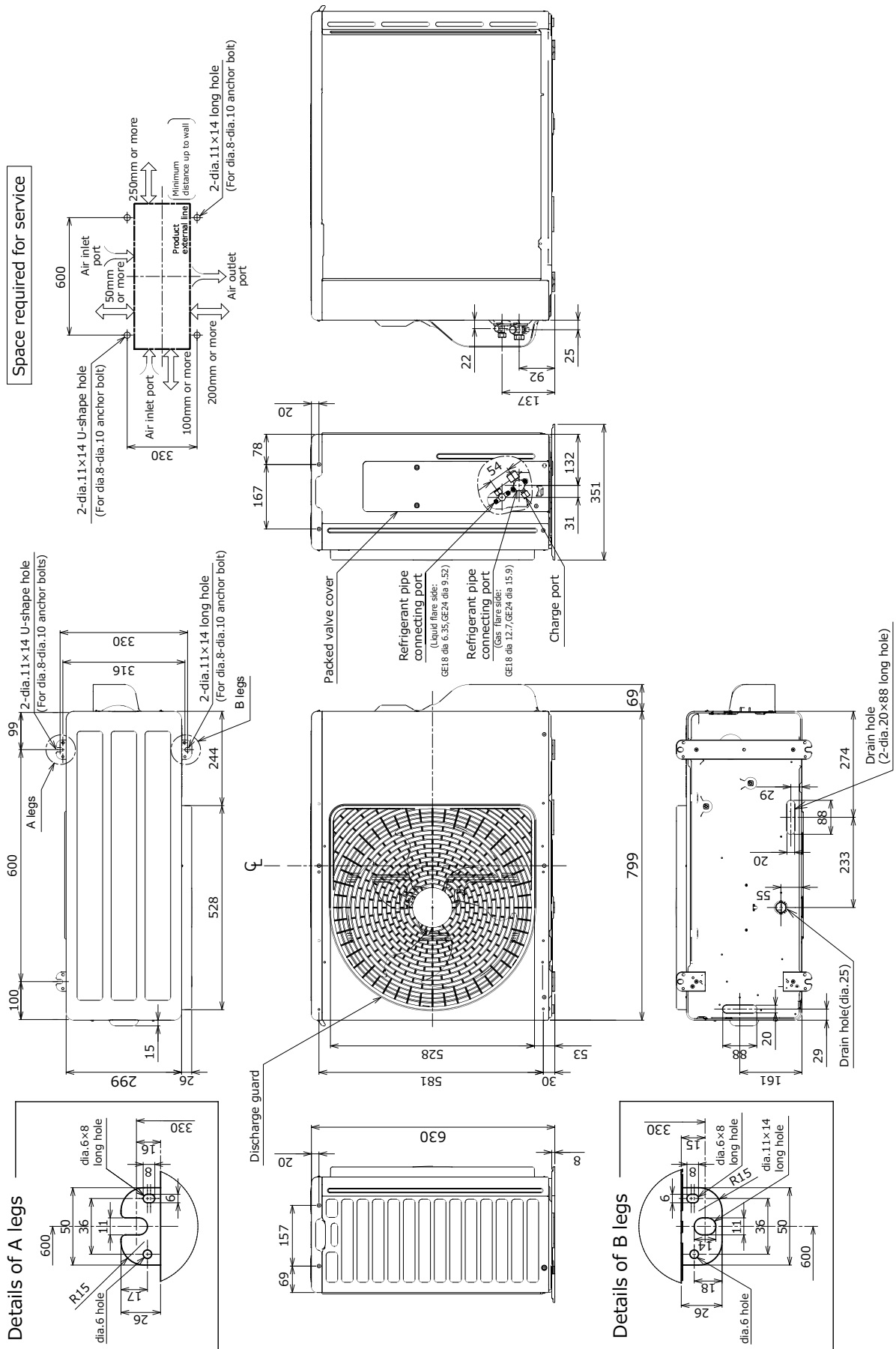
42TGF0361BP, 42TGF0401BP, 42TGF0481BP, 42TGF0601BP

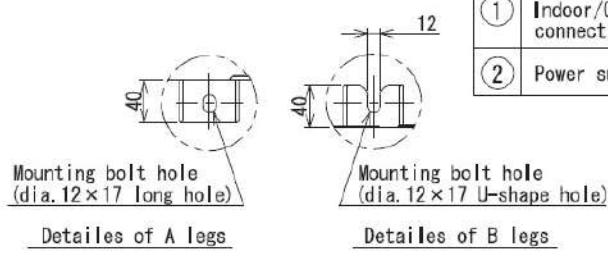
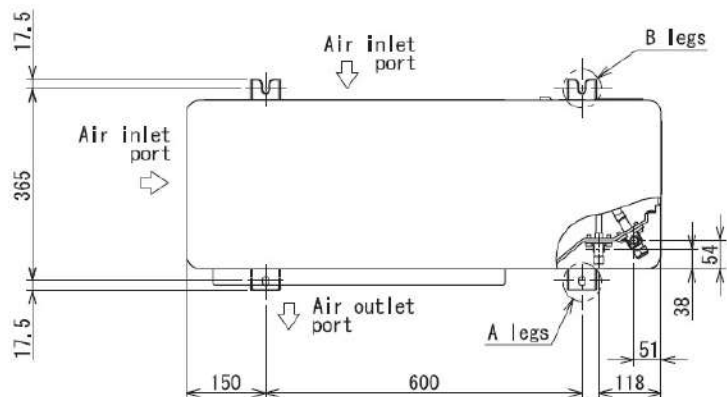


2. CONSTRUCTION VIEWS (EXTERNAL VIEWS)

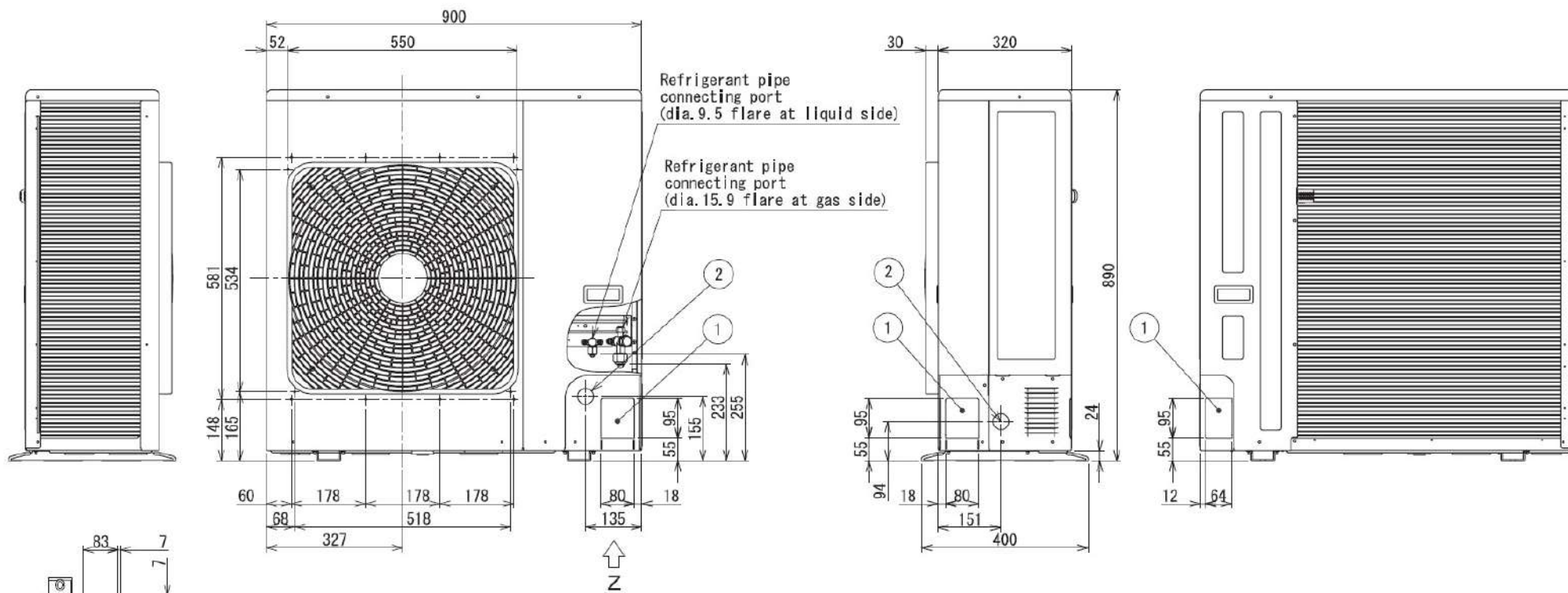
38TGF0131A1, 38TGF0181A1







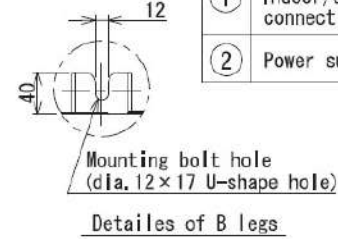
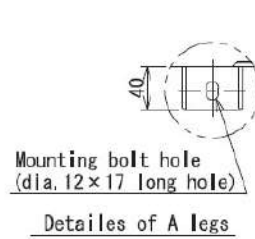
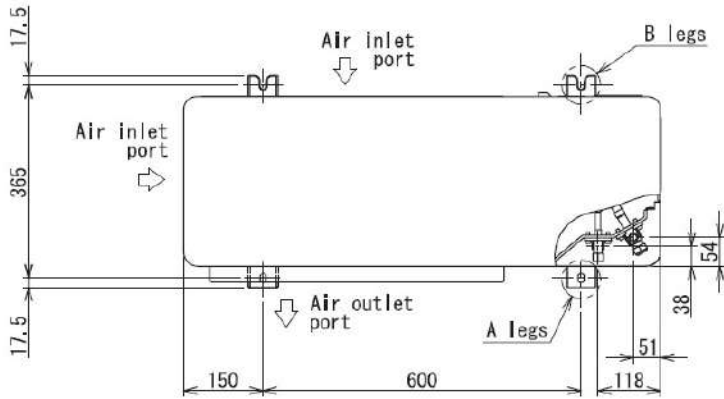
	Name	Note
①	Refrigerant piping hole Indoor/Outdoor Unit connecting wire inlet hole	—
②	Power supply inlet hole	dia.38 Knockout hole



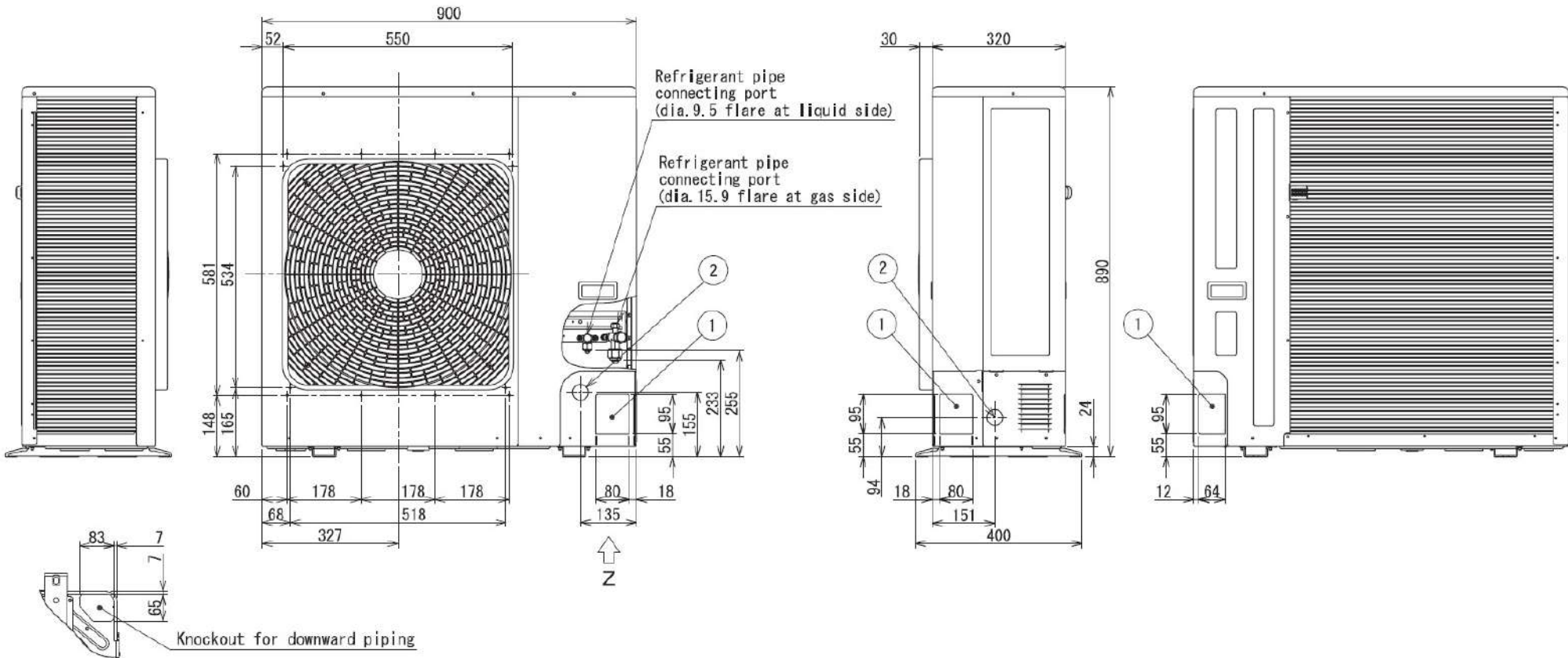
(Unit:mm)

38TGF0301A1
38TGF0361A1

Outdoor Unit
38TGF0361A3

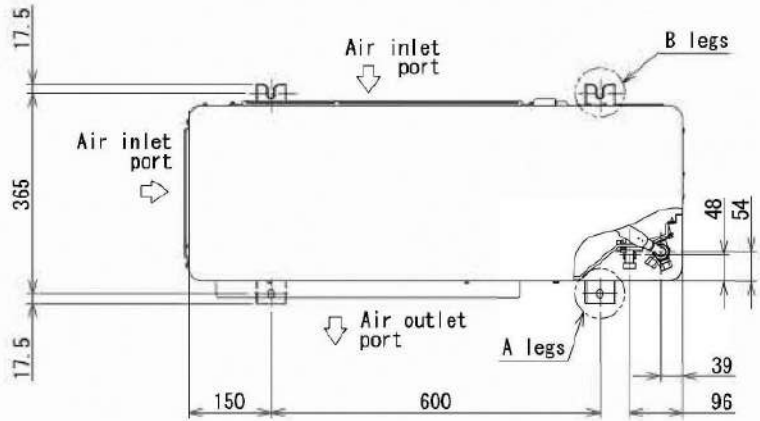


	Name	Note
①	Refrigerant piping hole Indoor/Outdoor Unit connecting wire inlet hole	—
②	Power supply inlet hole	dia. 38 Knockout hole



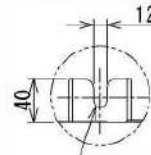
Z views

(Unit:mm)



Mounting bolt hole
(dia. 12 × 17 long hole)

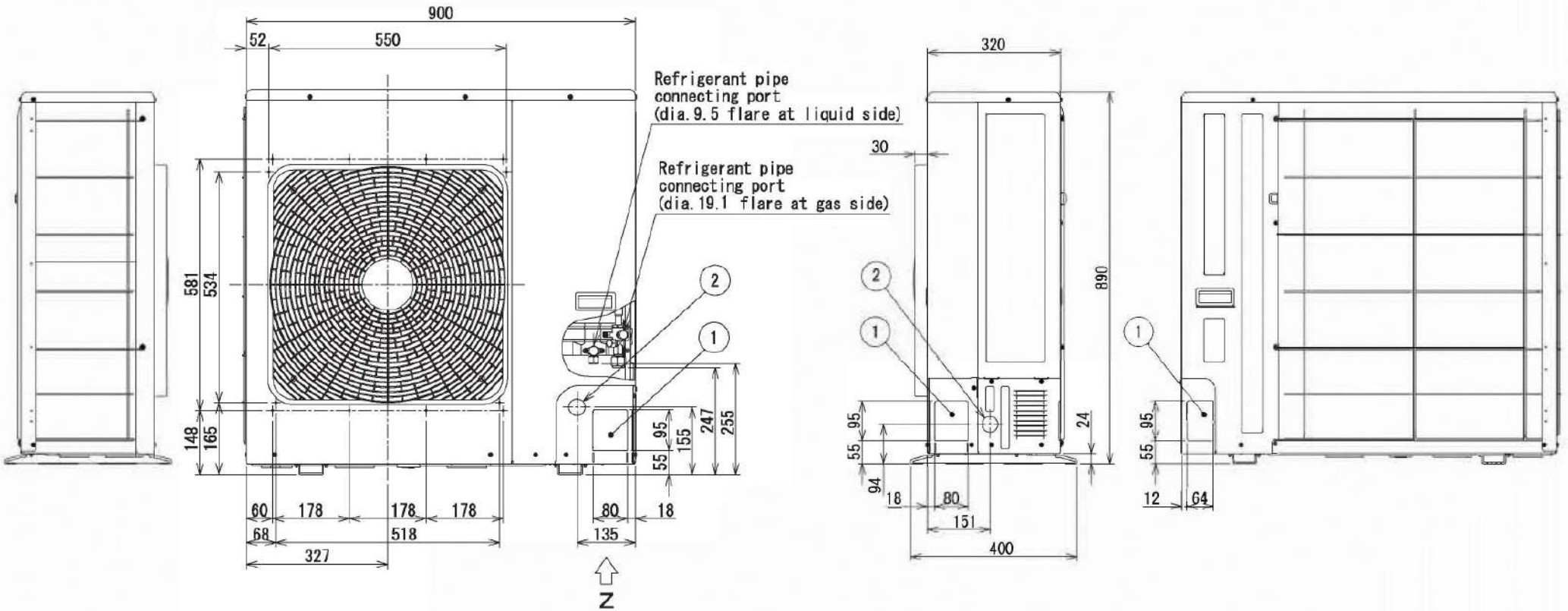
Details of A legs



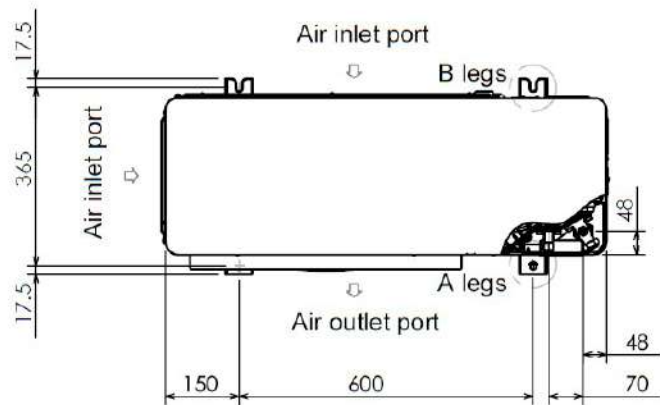
Mounting bolt hole
(dia. 12 × 17 U-shape hole)

Details of B legs

	Name	Note
①	Refrigerant piping hole Indoor/Outdoor Unit connecting wire inlet hole	—
②	Power supply inlet hole	dia. 38 Knockout hole



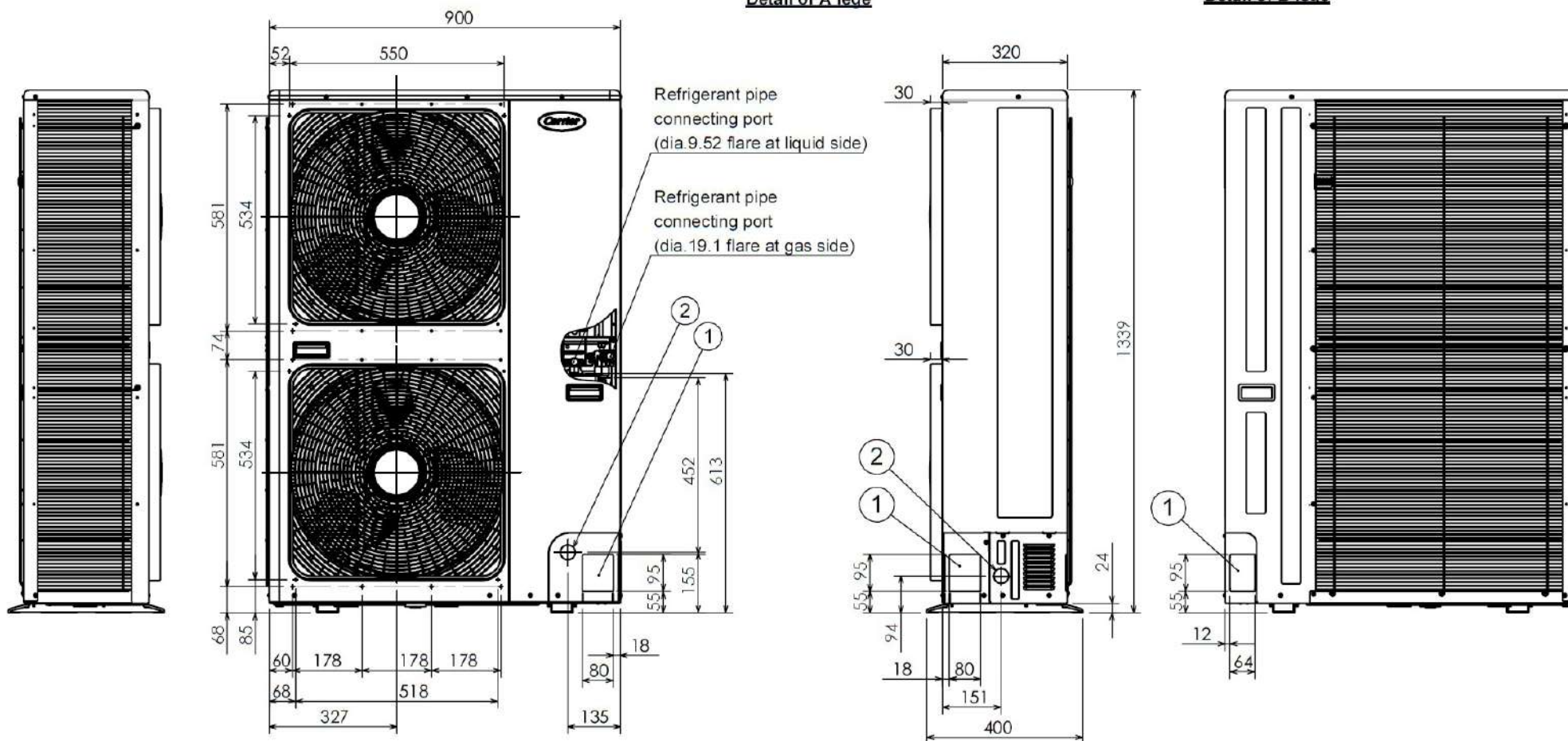
(Unit:mm)



	Name	Note
①	Refrigerant piping hole Indoor/Outdoor Unit connecting wire inlet hole.	—
②	Power supply inlet hole.	dia.38 Knockout hole

Mouting bolt hole
(dia. 12 x 17 long hole)
Detail of A lege

Mouting bolt hole
(dia. 12 x 17 U-shape hole)
Detail of B lege



38TGF0601A3