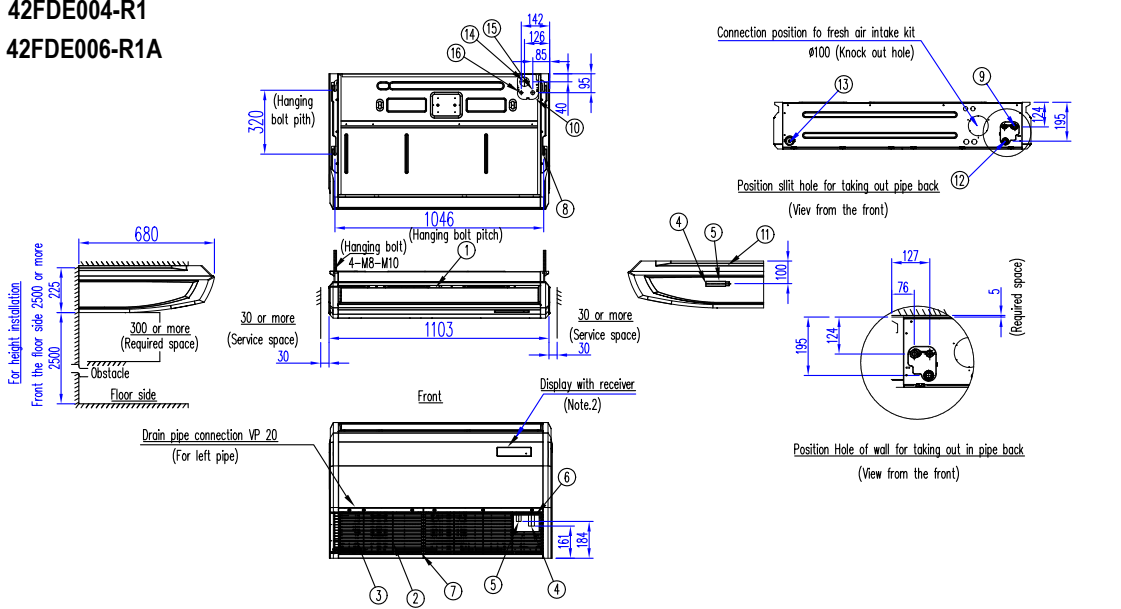
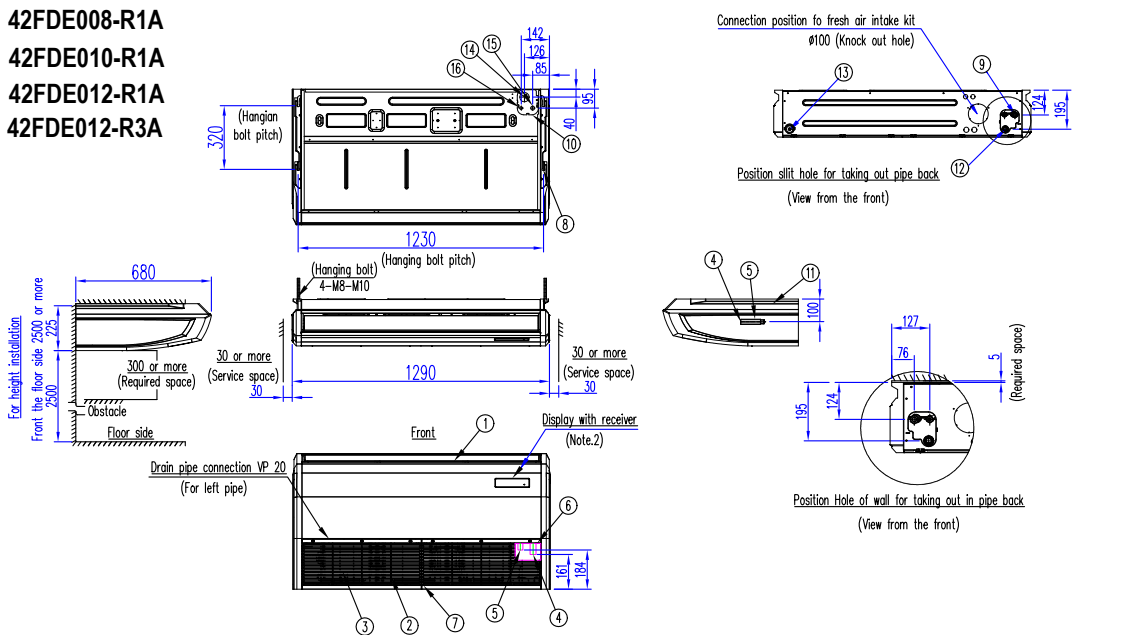


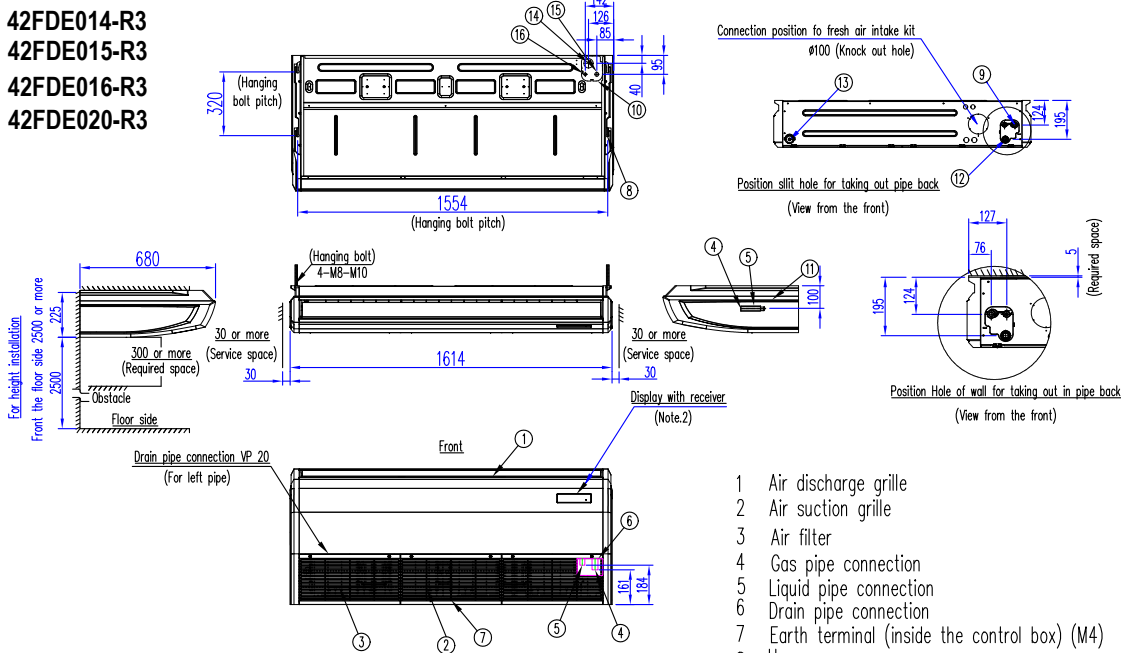
**42FDE004-R1**  
**42FDE006-R1A**



**42FDE008-R1A**  
**42FDE010-R1A**  
**42FDE012-R1A**  
**42FDE012-R3A**



**42FDE014-R3**  
**42FDE015-R3**  
**42FDE016-R3**  
**42FDE020-R3**

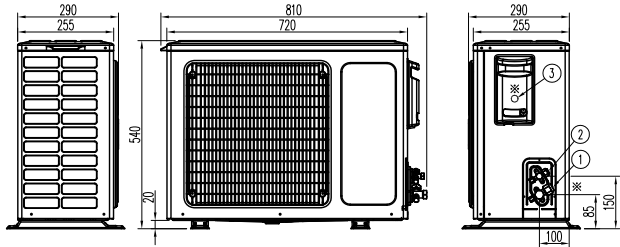
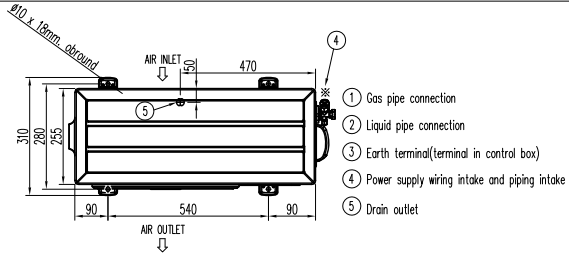


Notes :

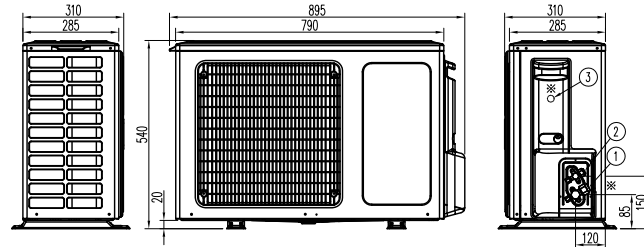
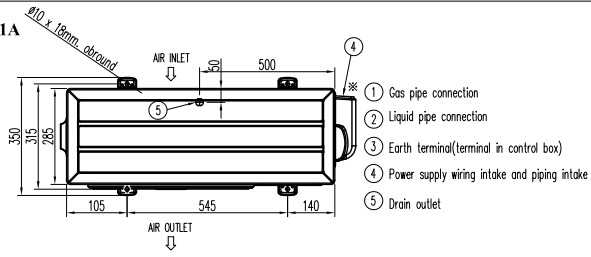
1. Location of unit's Name plate right top of supply air
2. In case of using wireless remote controller this position will be a signal receiver. Refer to the drawing of wireless remote controller in detail
3. Please do not place the thing been damp and troubled under an in door unit. When the case where humidity is 80% or more and the drain outlet are choked up and the air filter are dirty dew may fall

- 1 Air discharge grille
- 2 Air suction grille
- 3 Air filter
- 4 Gas pipe connection
- 5 Liquid pipe connection
- 6 Drain pipe connection
- 7 Earth terminal (inside the control box) (M4)
- 8 Hanger
- 9 Rear pipe penetration cover
- 10 Top panel penetration cover
- 11 Right side pipe connection
- 12 Left back drain pipe connection
- 13 Hole of wall for taking out in pipe back
- 14 Upward drain pipe connection
- 15 Upward gas pipe connection
- 16 Upward liquid pipe connection

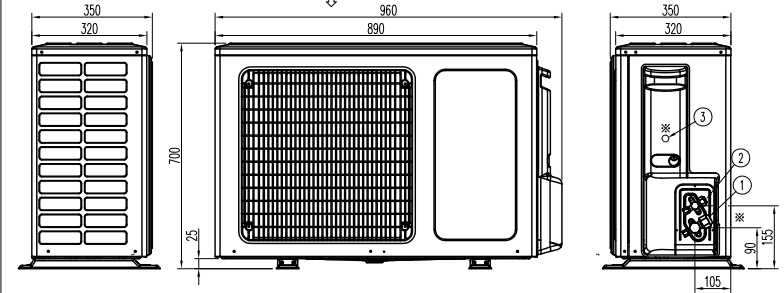
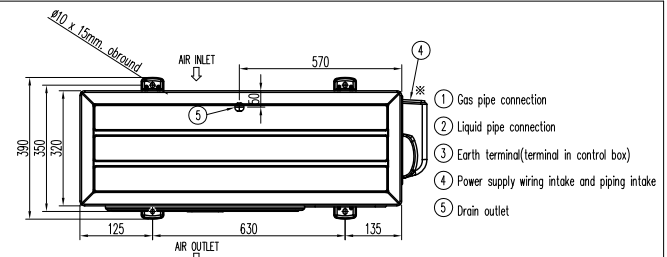
**38FDE013-R1**



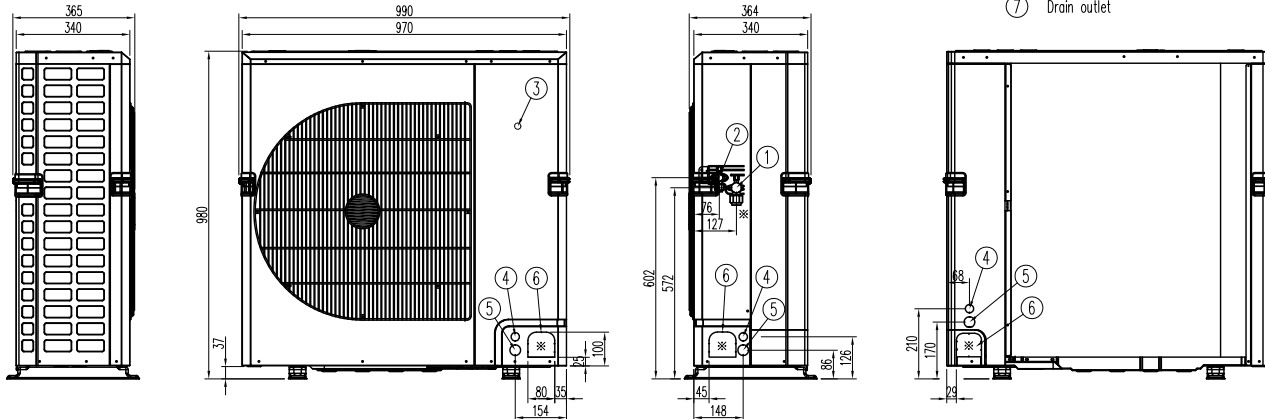
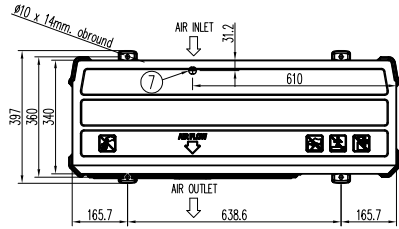
**38FDE018-R1A**



**38FDE025-R1A**

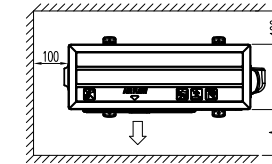


**38FDE030-R1A**  
**38FDE036-R1A**  
**38FDE036-R3A**  
**38FDE040-R3**  
**38FDE044-R3**  
**38FDE048-R3**  
**38FDE060-R3**

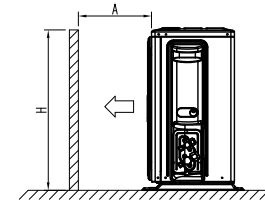


- ① Gas pipe connection
- ② Liquid pipe connection
- ③ Earth terminal (terminal in control box)
- ④ Power supply wiring intake
- ⑤ Control wiring intake
- ⑥ Refrigerant piping intake
- ⑦ Drain outlet

**MINIMUM SPACE FOR AIR PASSAGE**



	A
H ≤ 1000	350
H > 1000	600



Note ;  
 Dimensions ※ means the case of mounting the piping kit equipped with the unit