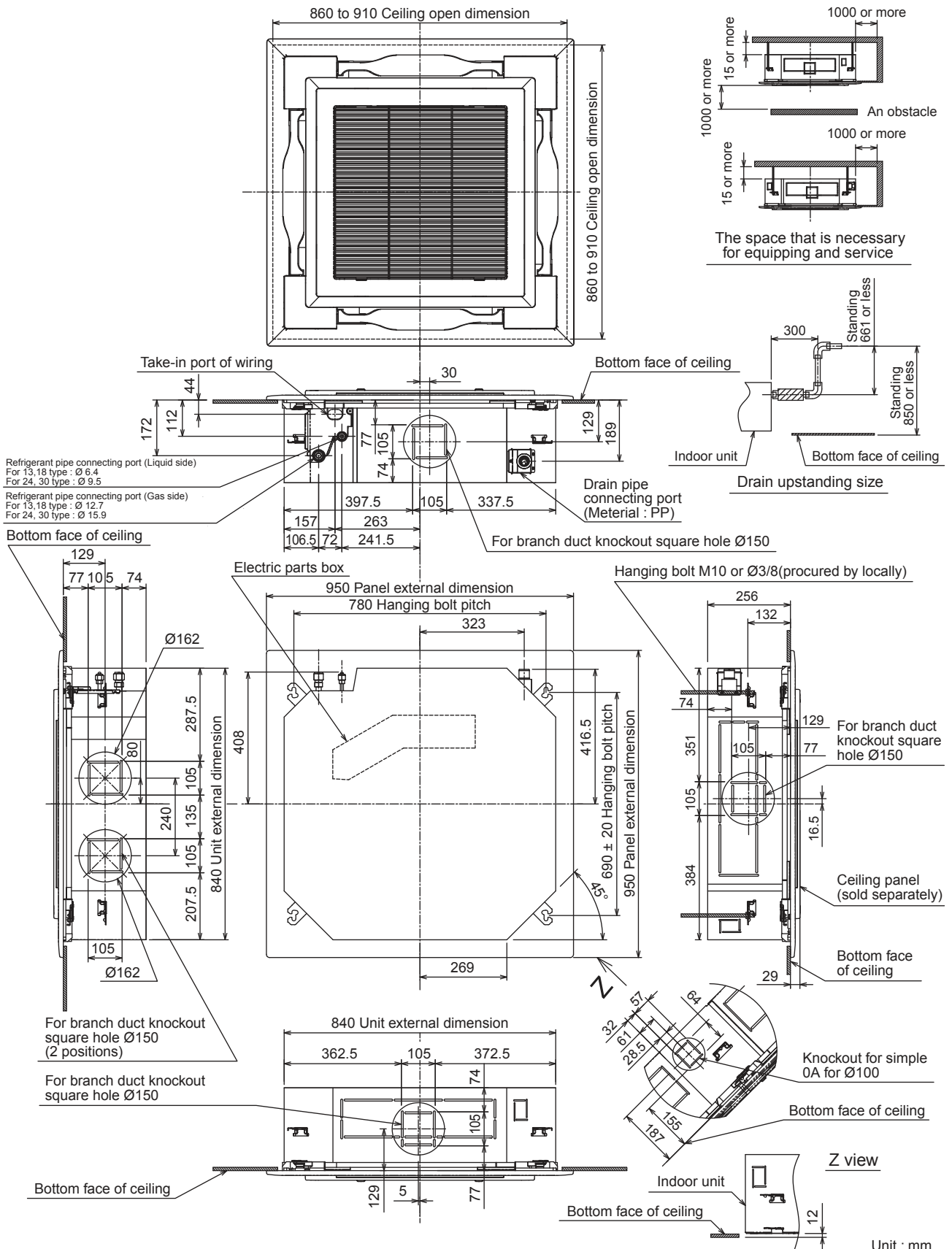


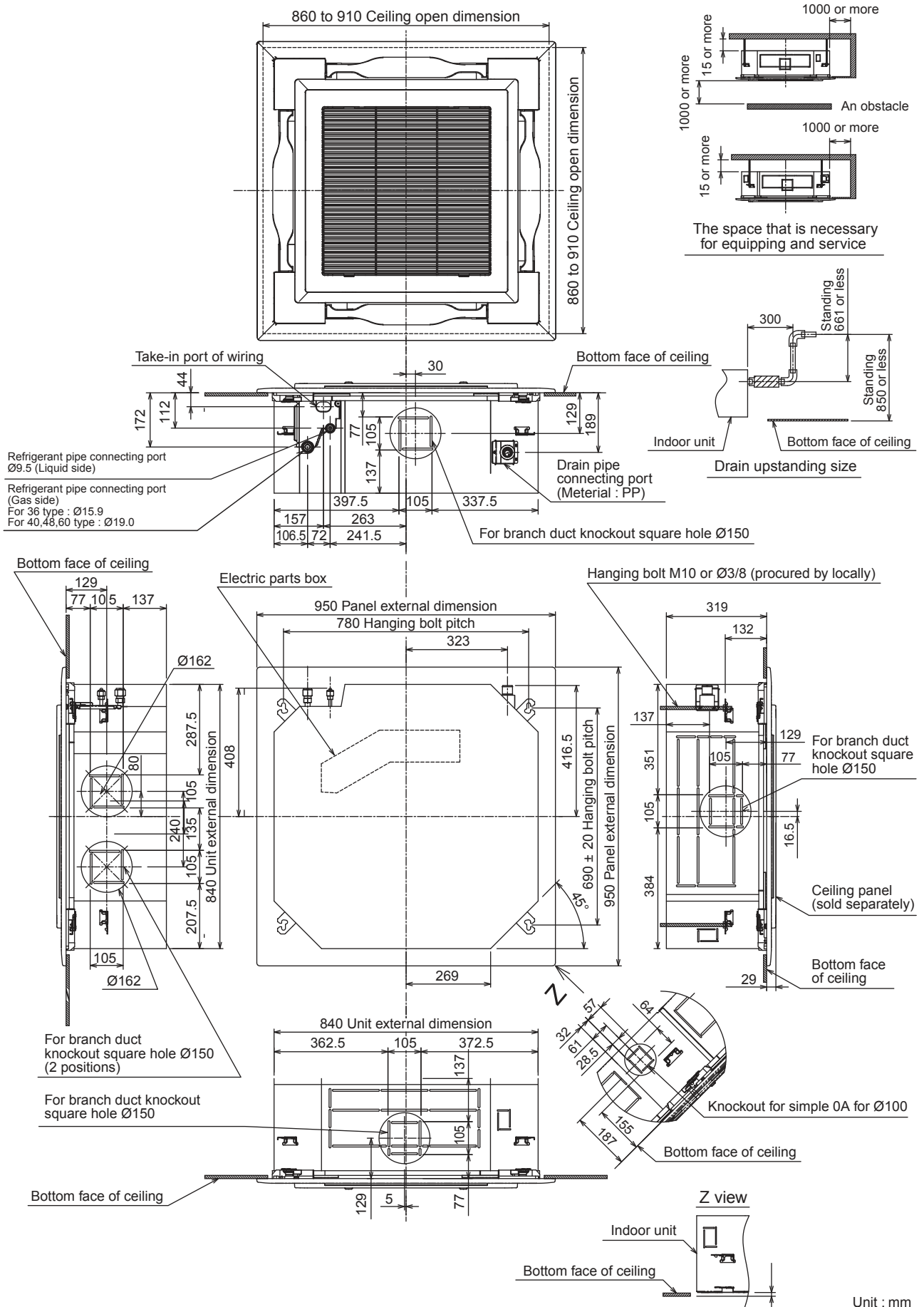
2. CONSTRUCTION VIEWS (EXTERNAL VIEWS)

Indoor Unit

40TGF0131UP, 40TGF0181UP, 40TGF0241UP, 40TGF0301UP



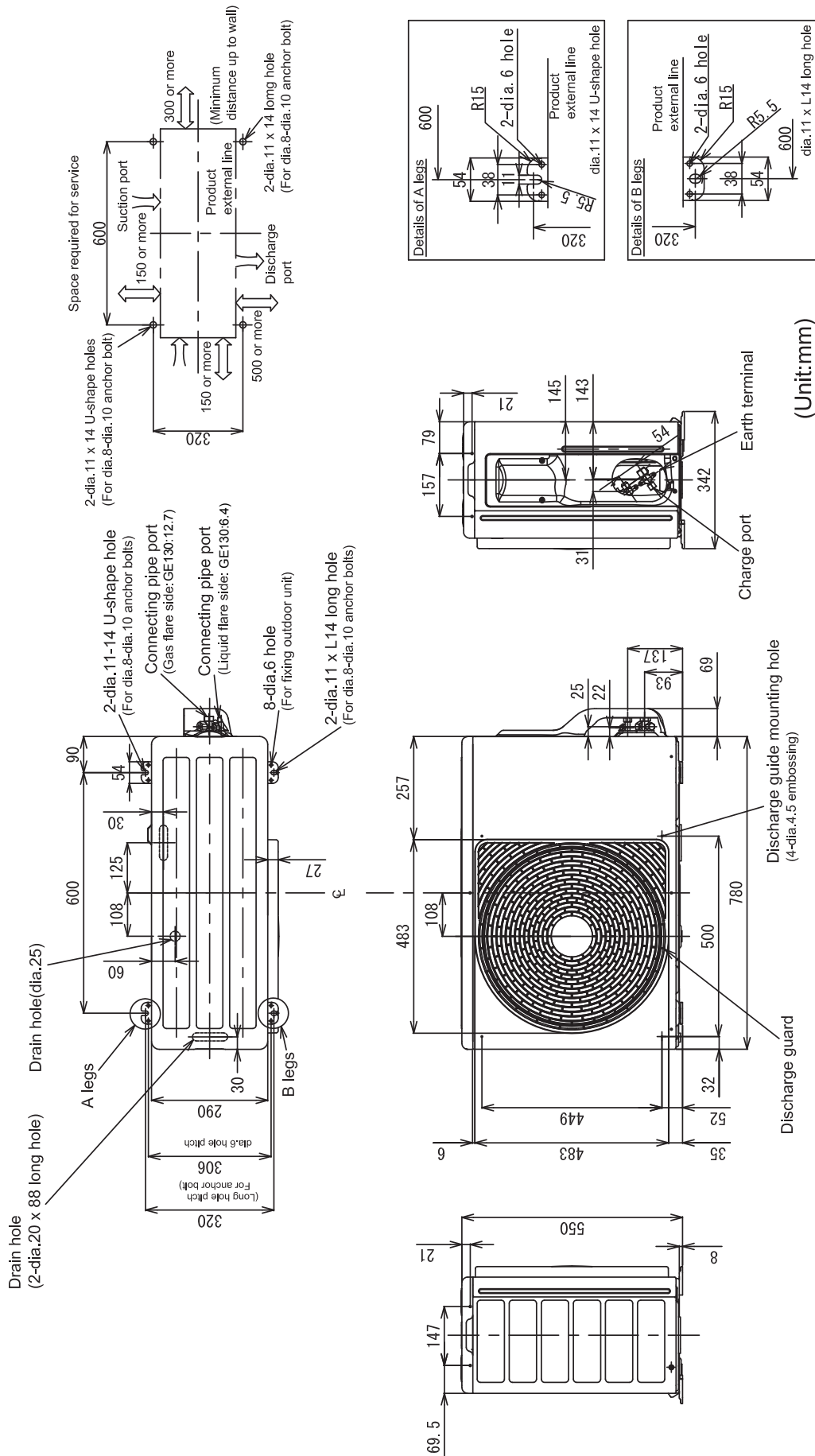
40TGF0361UP, 40TGF0401UP, 40TGF0481UP, 40TGF0601UP

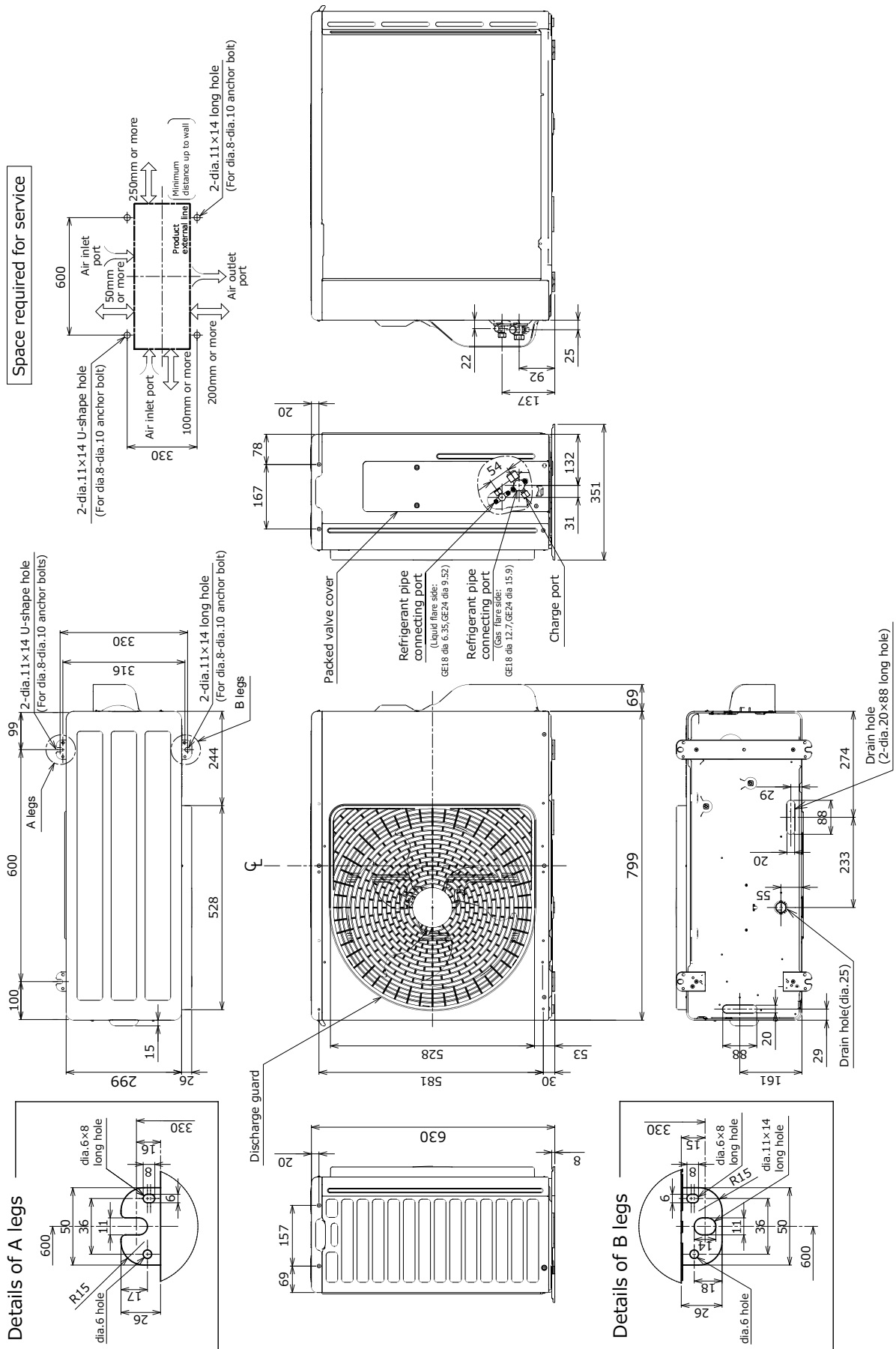


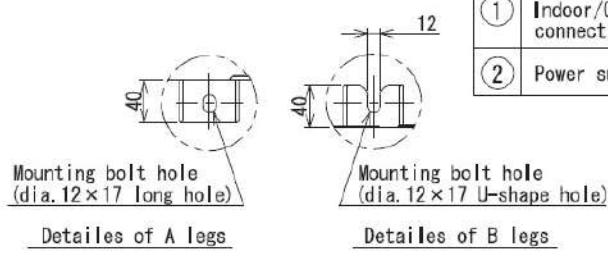
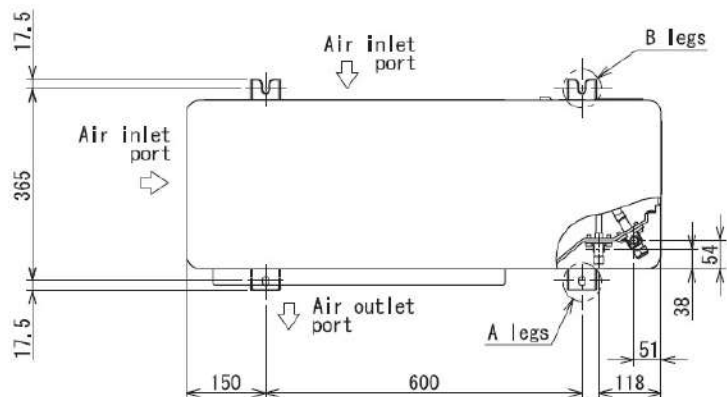
Unit : mm

2. CONSTRUCTION VIEWS (EXTERNAL VIEWS)

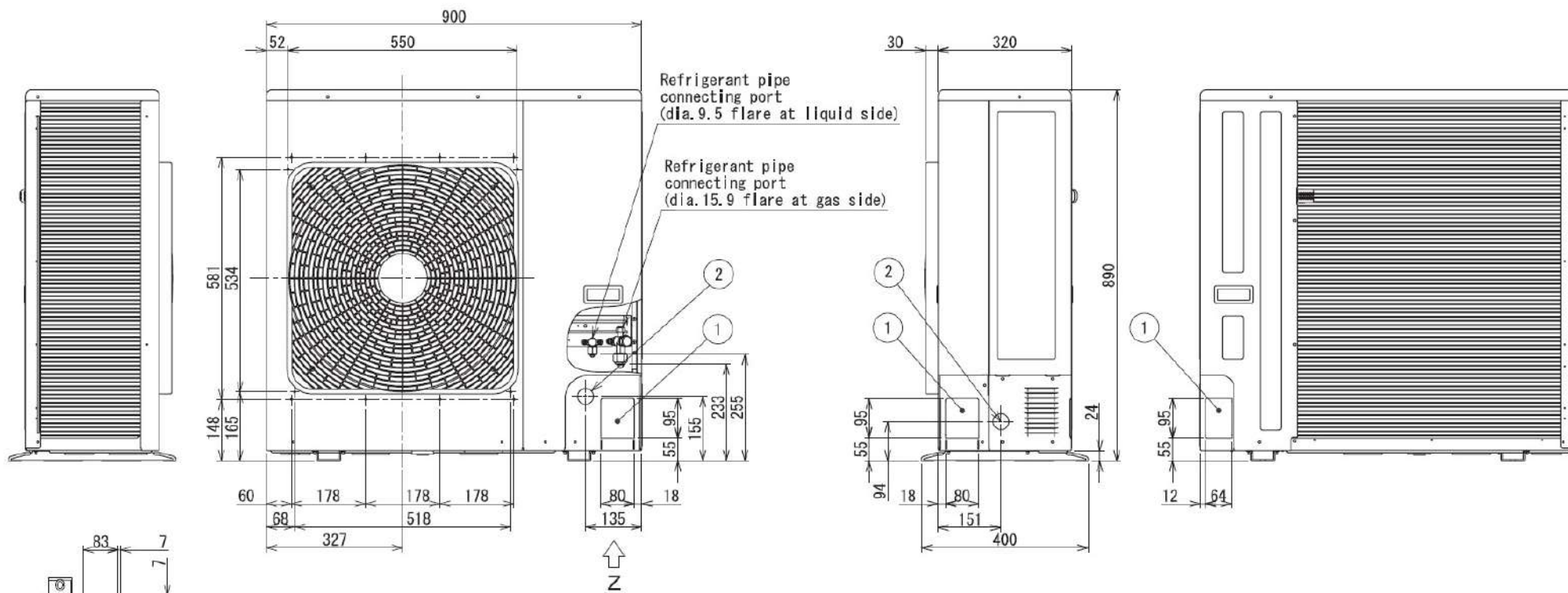
38TGF0131A1, 38TGF0181A1







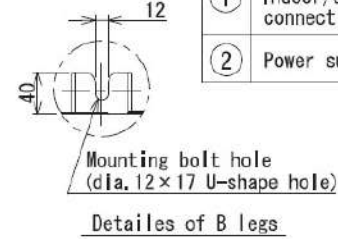
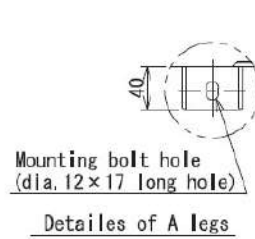
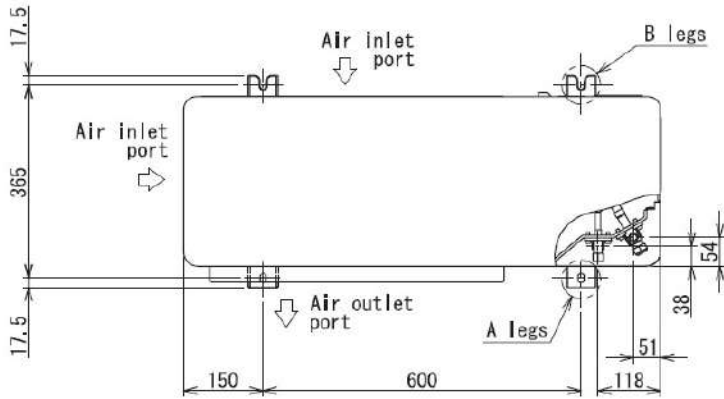
	Name	Note
①	Refrigerant piping hole Indoor/Outdoor Unit connecting wire inlet hole	—
②	Power supply inlet hole	dia. 38 Knockout hole



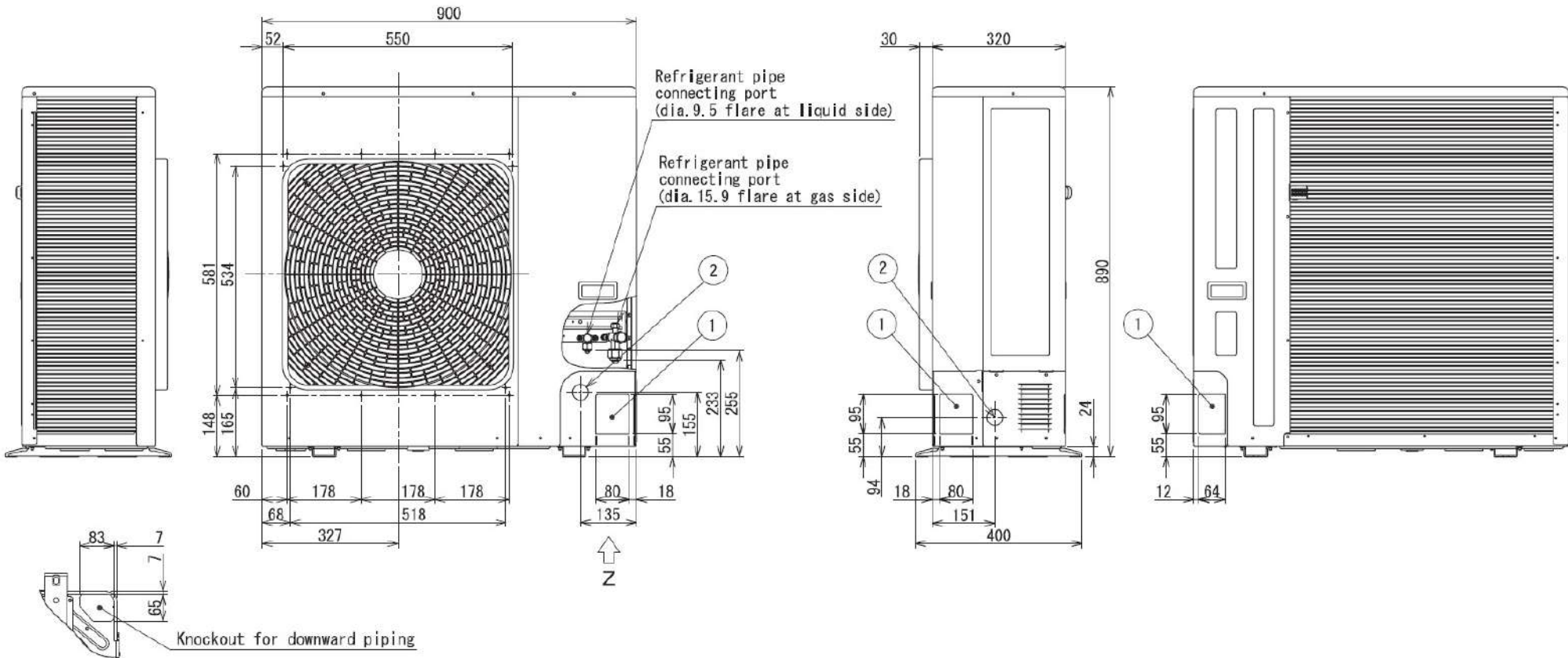
(Unit:mm)

38TGF0301A1
38TGF0361A1

Outdoor Unit
38TGF0361A3

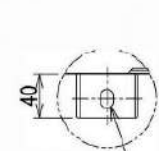
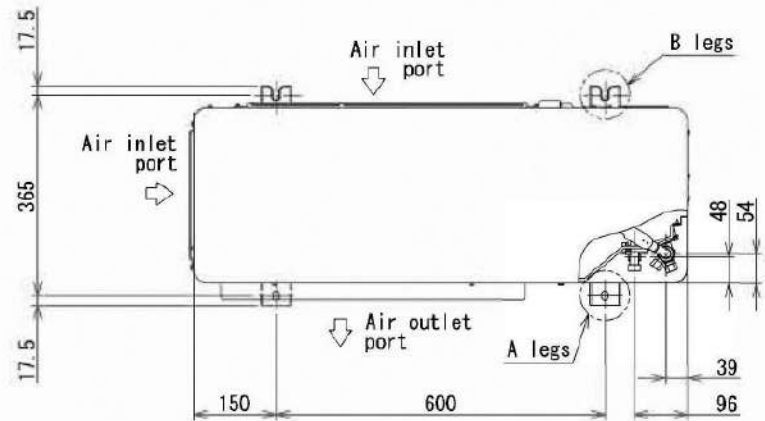


	Name	Note
①	Refrigerant piping hole Indoor/Outdoor Unit connecting wire inlet hole	—
②	Power supply inlet hole	dia. 38 Knockout hole



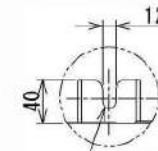
Z views

(Unit:mm)



Mounting bolt hole
(dia. 12 × 17 long hole)

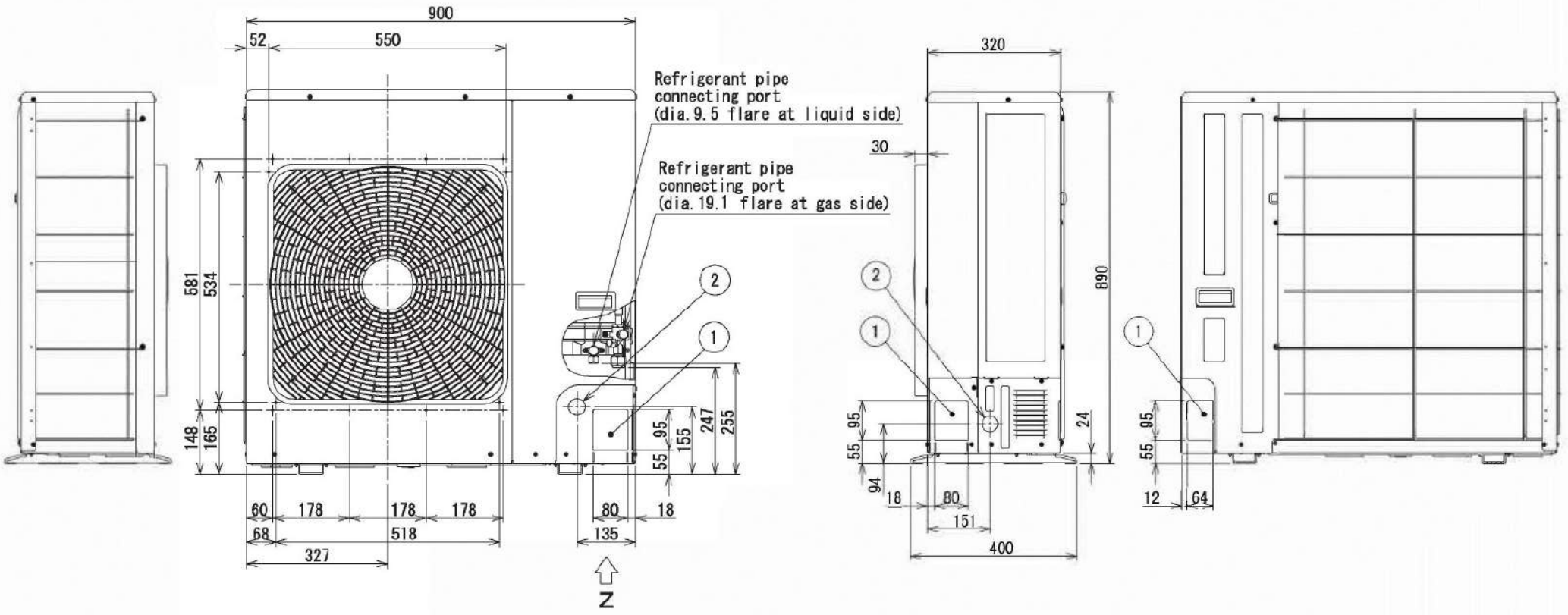
Details of A legs



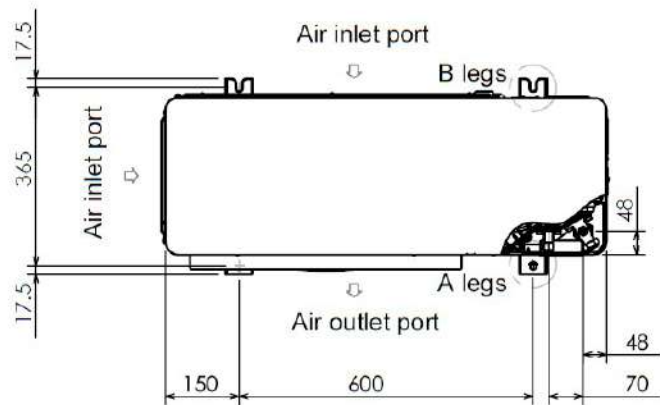
Mounting bolt hole
(dia. 12 × 17 U-shape hole)

Details of B legs

	Name	Note
①	Refrigerant piping hole Indoor/Outdoor Unit connecting wire inlet hole	—
②	Power supply inlet hole	dia. 38 Knockout hole



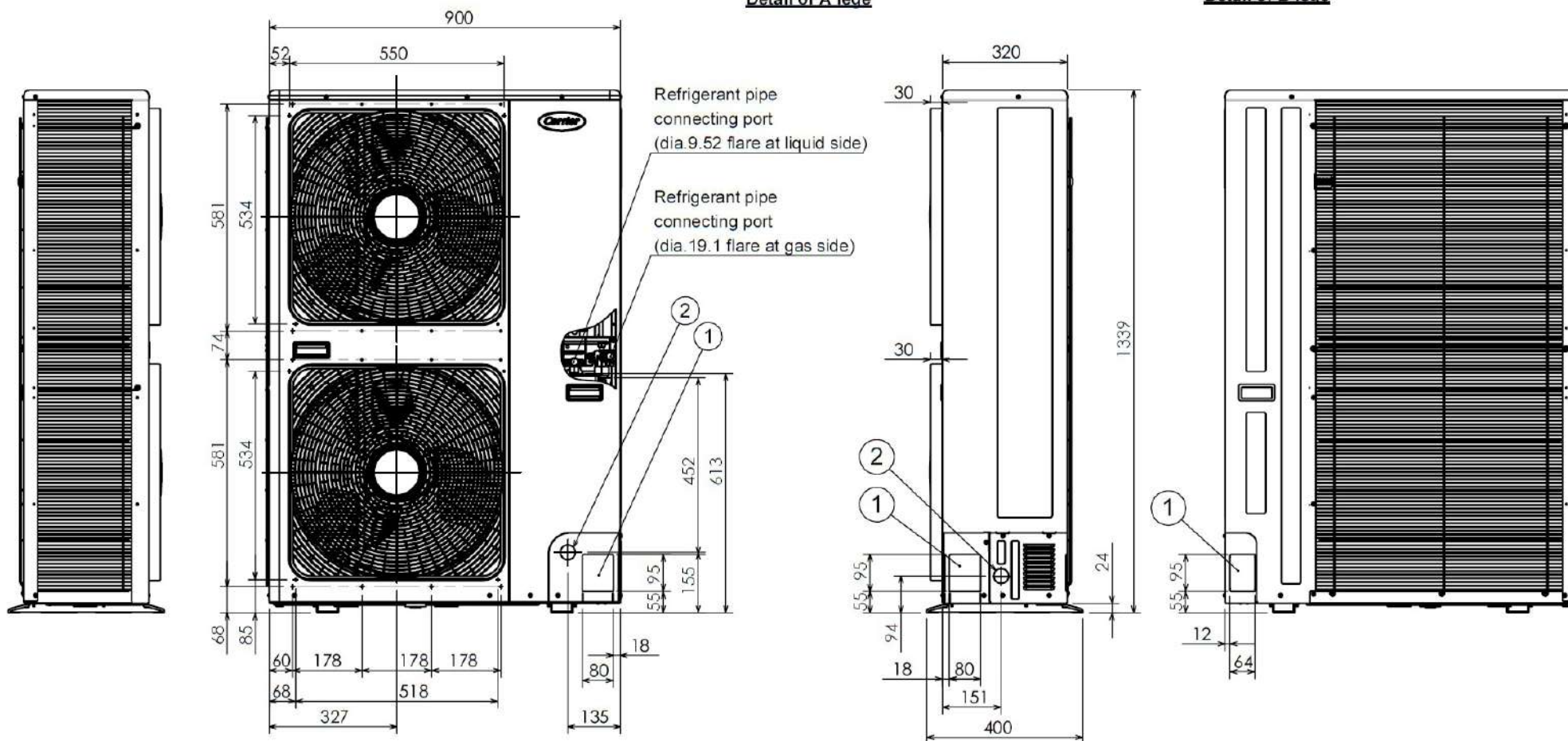
(Unit:mm)



	Name	Note
①	Refrigerant piping hole Indoor/Outdoor Unit connecting wire inlet hole.	_____
②	Power supply inlet hole.	dia.38 Knockout hole

Mouting bolt hole
(dia. 12 x 17 long hole)
Detail of A lege

Mouting bolt hole
(dia. 12 x 17 U-shape hole)
Detail of B lege



38TGF0601A3