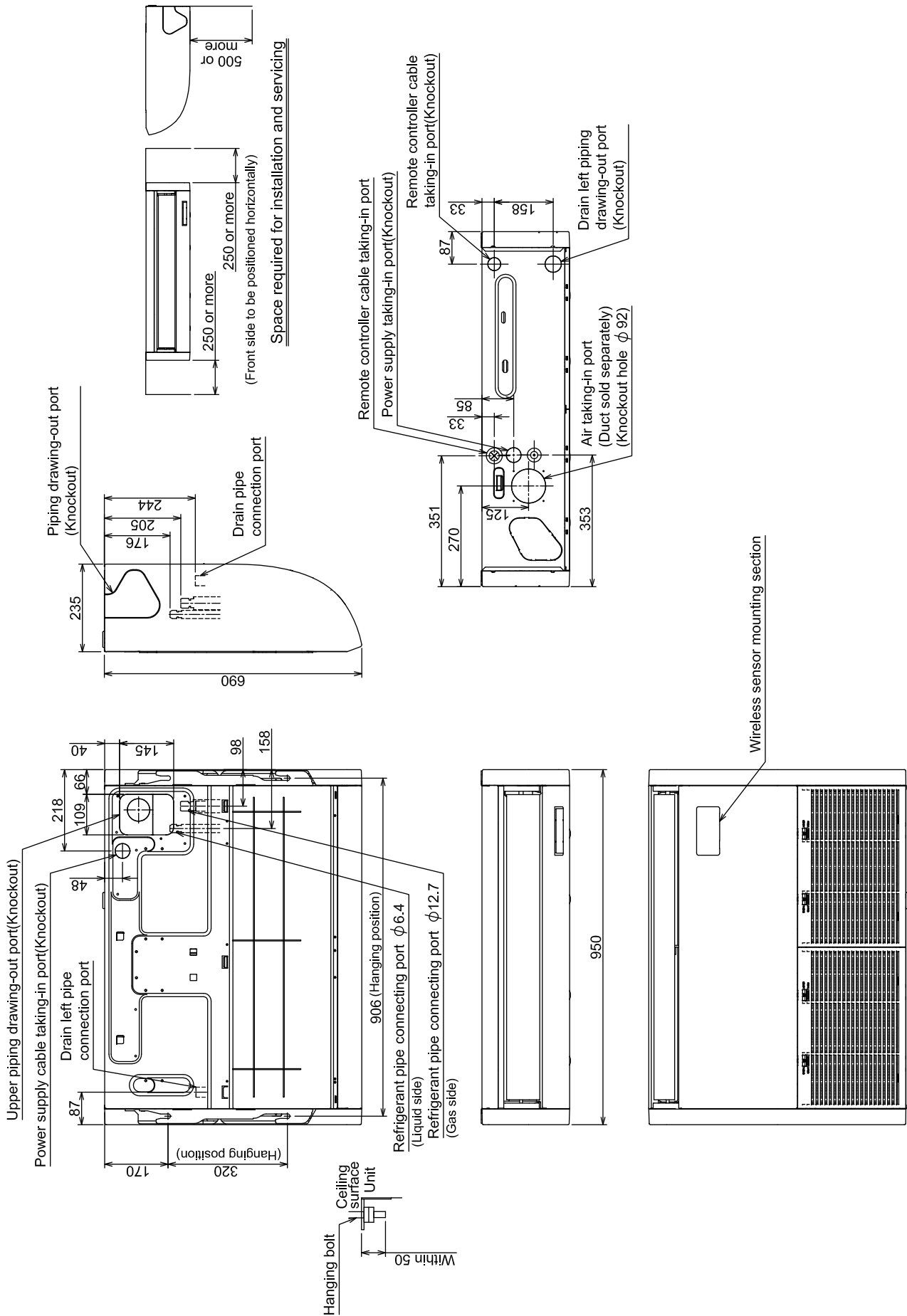
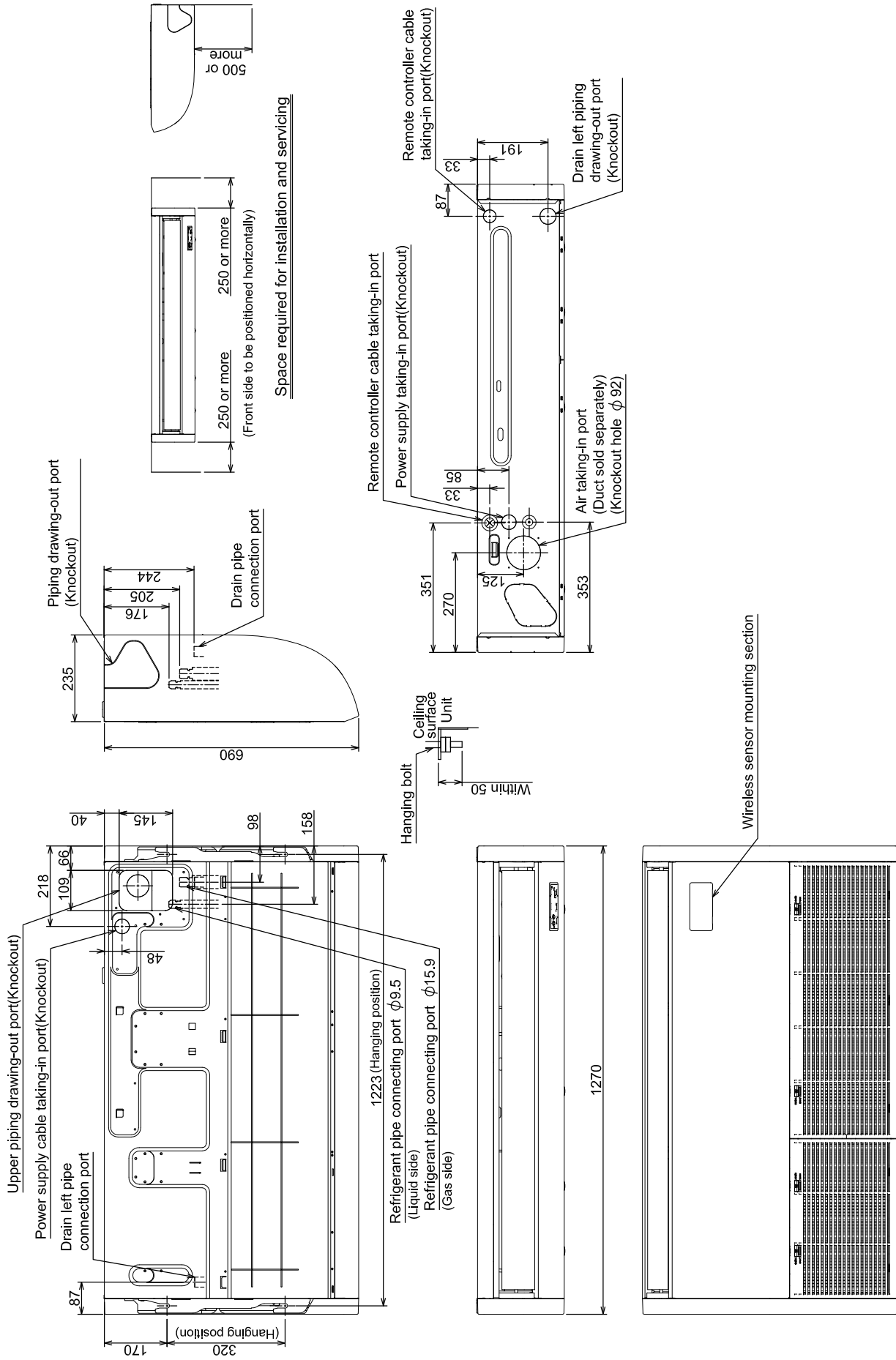


## 2. CONSTRUCTION VIEWS (EXTERNAL VIEWS)

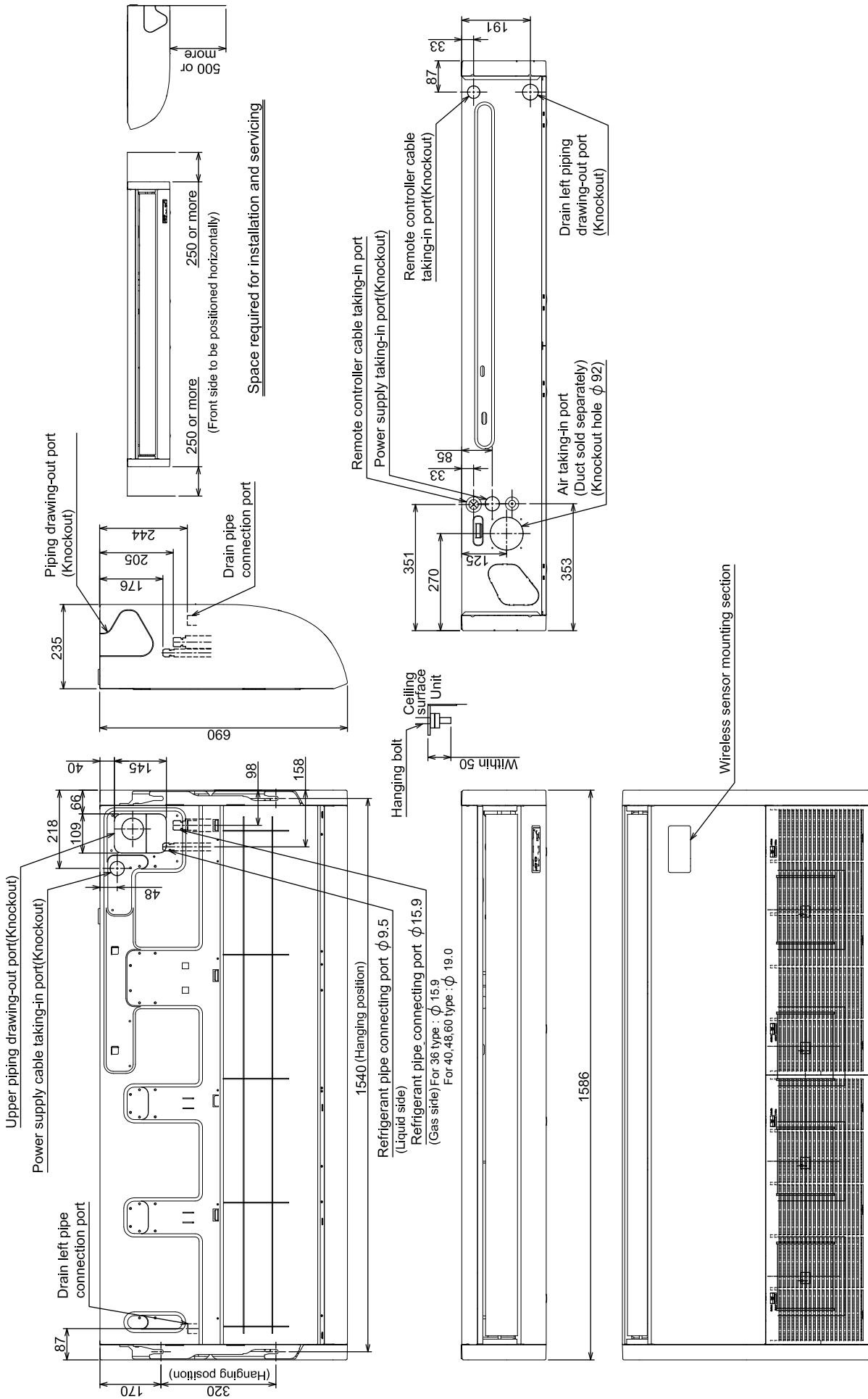
42TGF0131CP, 42TGF0181CP



(Unit:mm)



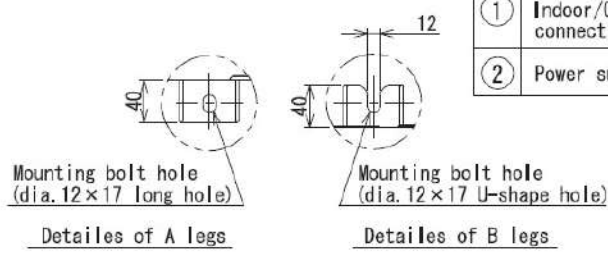
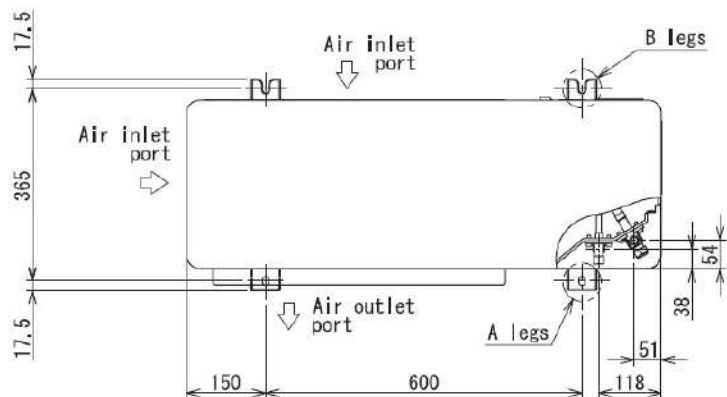
(Unit:mm)



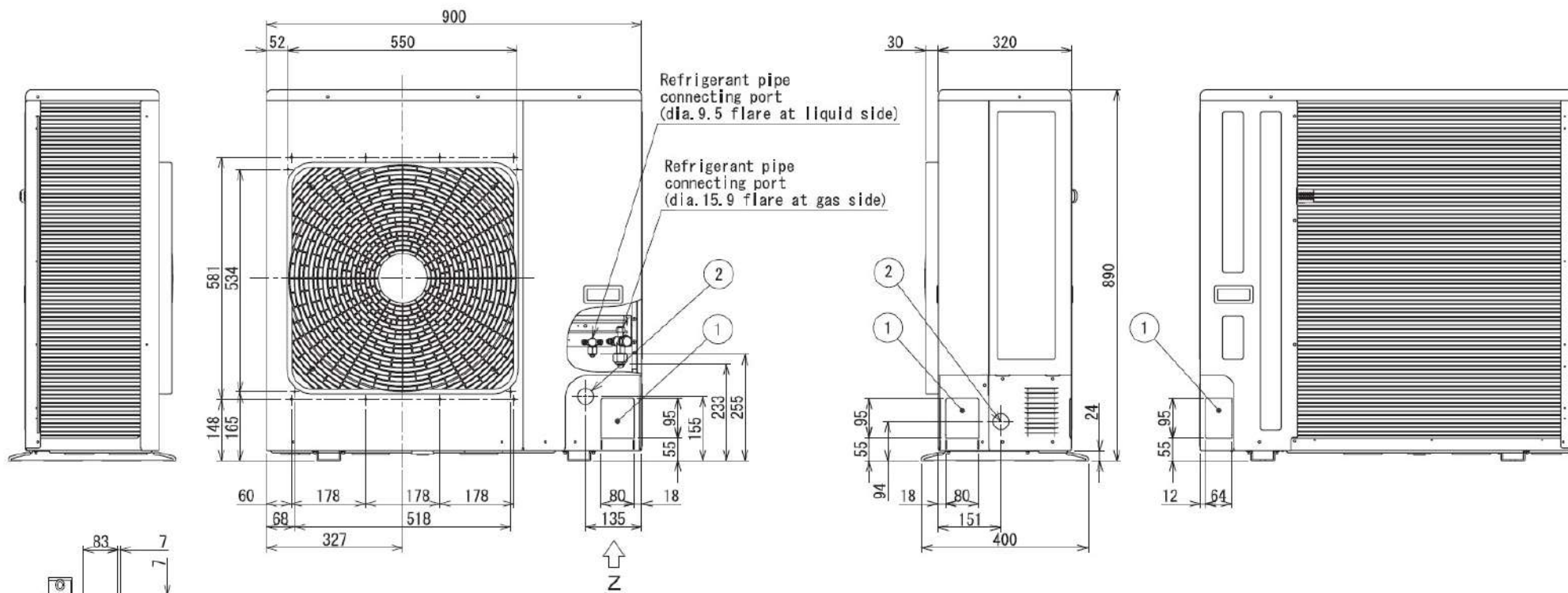
(Unit:mm)







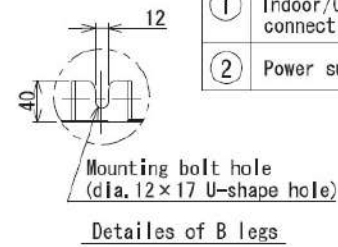
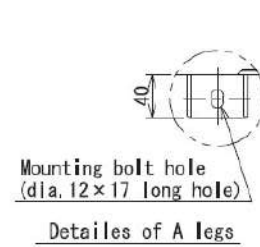
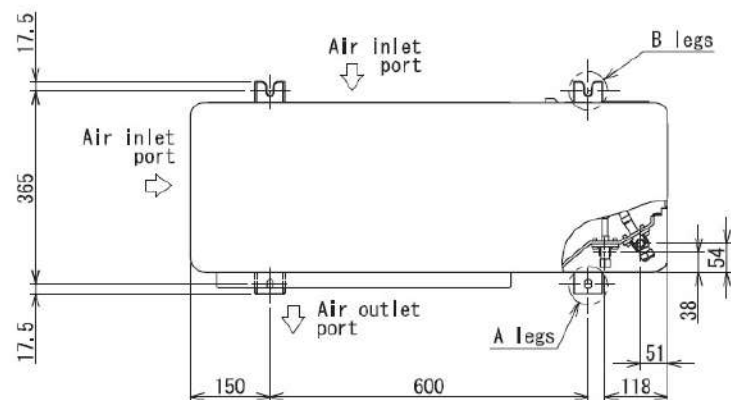
	Name	Note
①	Refrigerant piping hole Indoor/Outdoor Unit connecting wire inlet hole	—
②	Power supply inlet hole	dia.38 Knockout hole



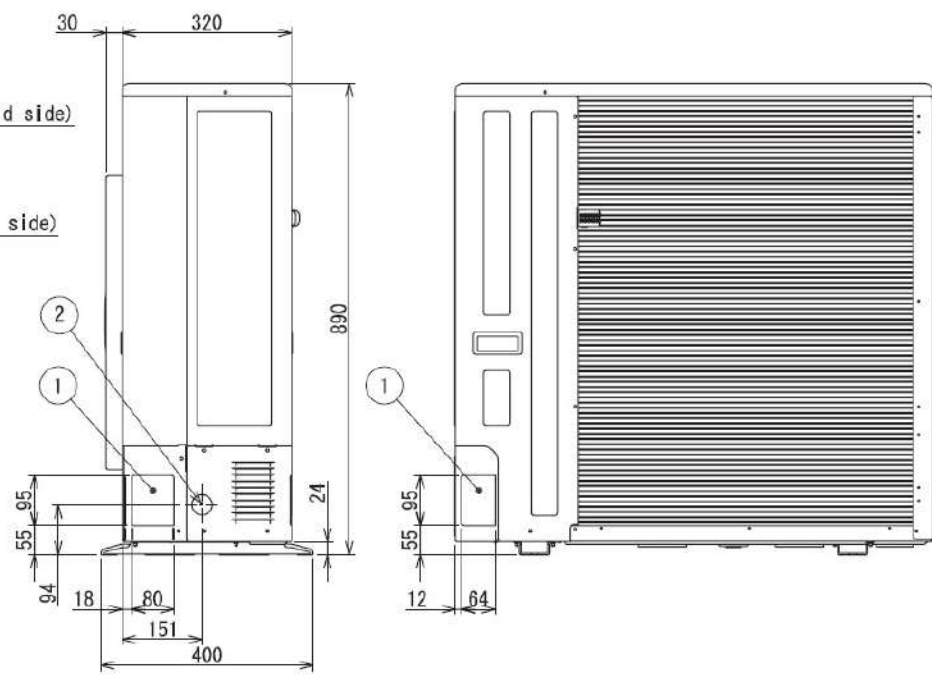
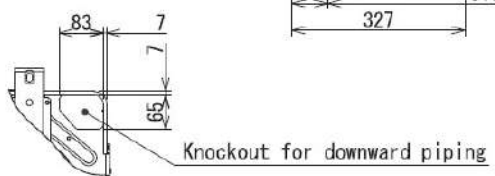
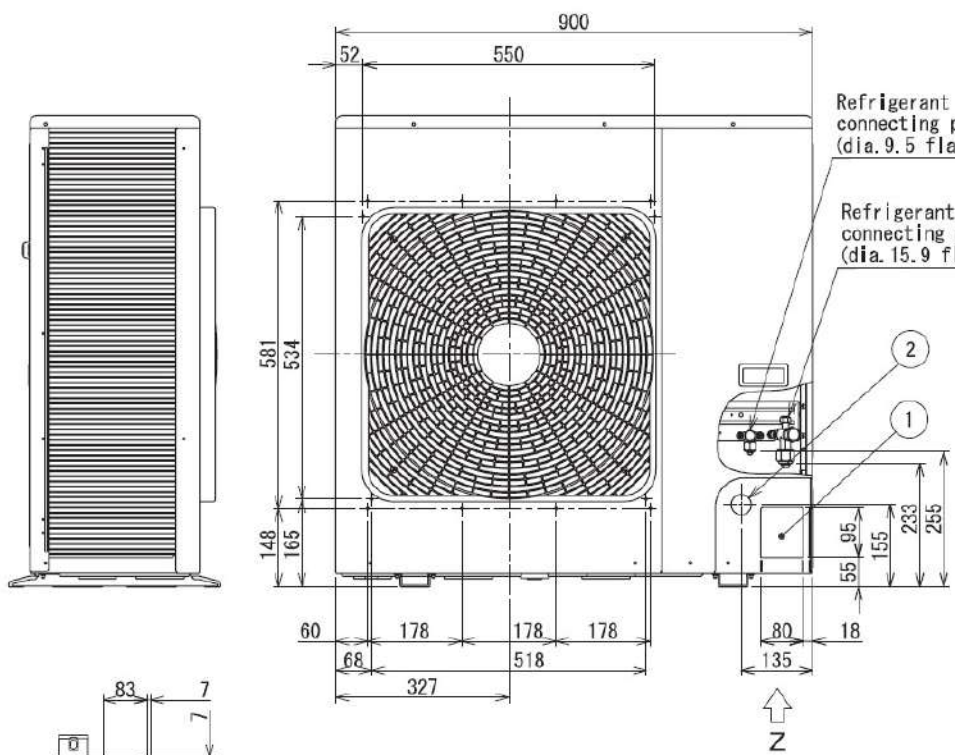
(Unit:mm)

**38TGF0301A1**  
**38TGF0361A1**

**Outdoor Unit**  
**38TGF0361A3**



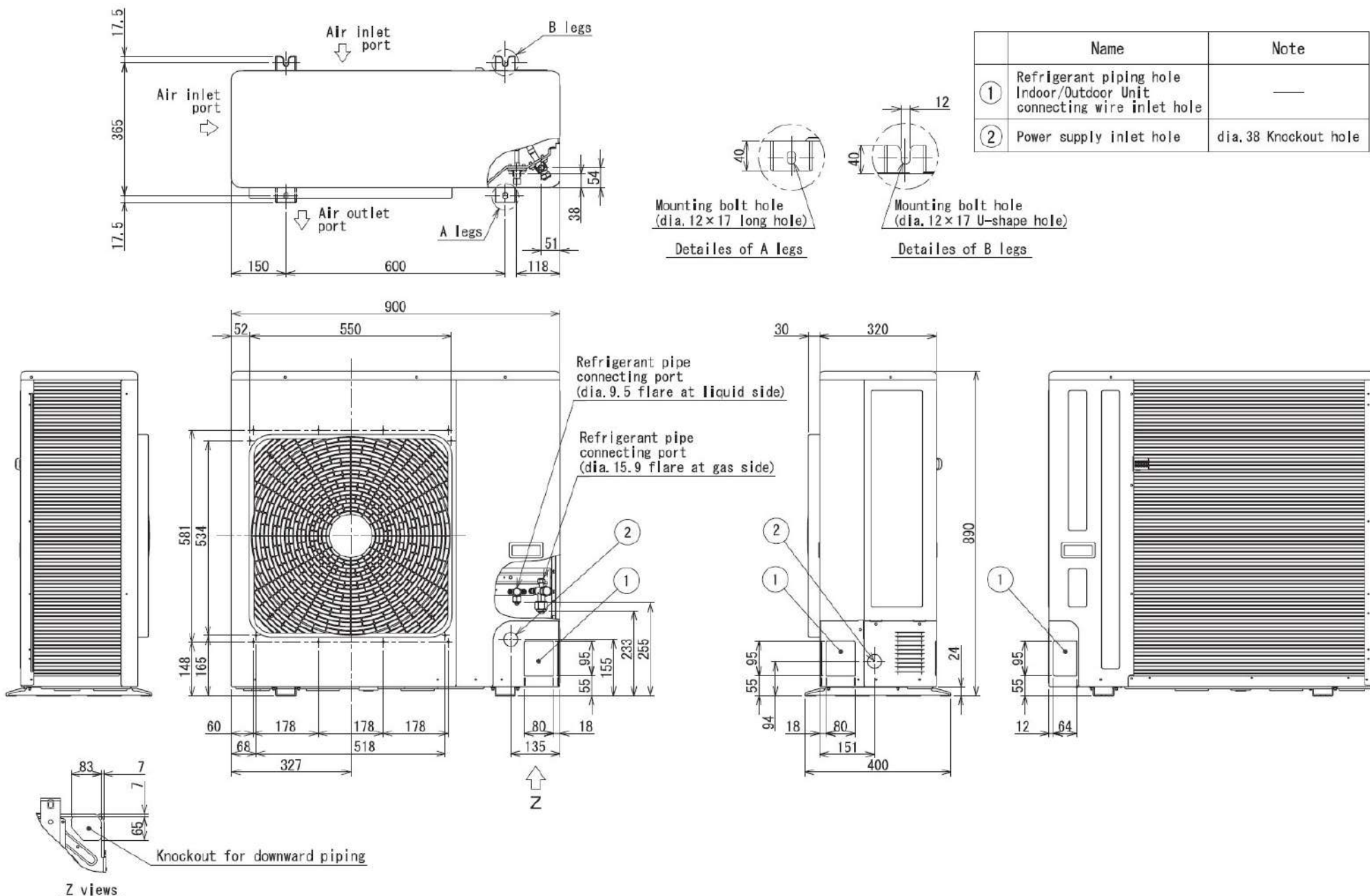
	Name	Note
①	Refrigerant piping hole Indoor/Outdoor Unit connecting wire inlet hole	—
②	Power supply inlet hole	dia. 38 Knockout hole



(Unit:mm)



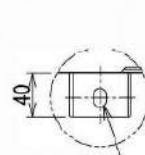
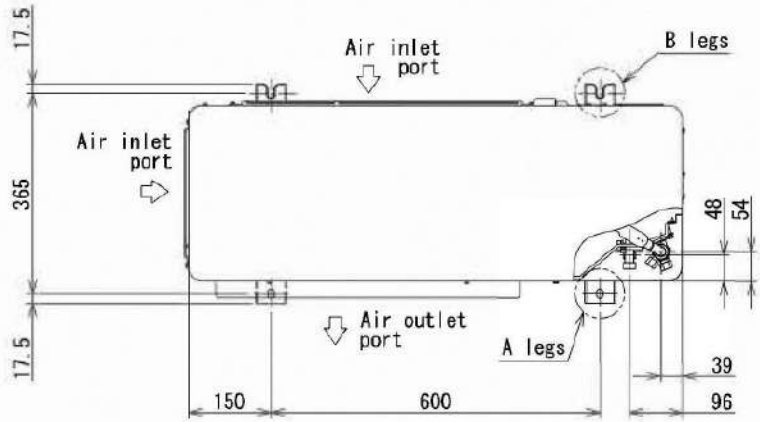
**Outdoor Unit**  
38TGF0401A1, 38TGF0401A3



	Name	Note
①	Refrigerant piping hole Indoor/Outdoor Unit connecting wire inlet hole	—
②	Power supply inlet hole	dia. 38 Knockout hole

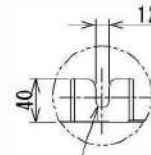
(Unit:mm)





Mounting bolt hole  
(dia. 12 × 17 long hole)

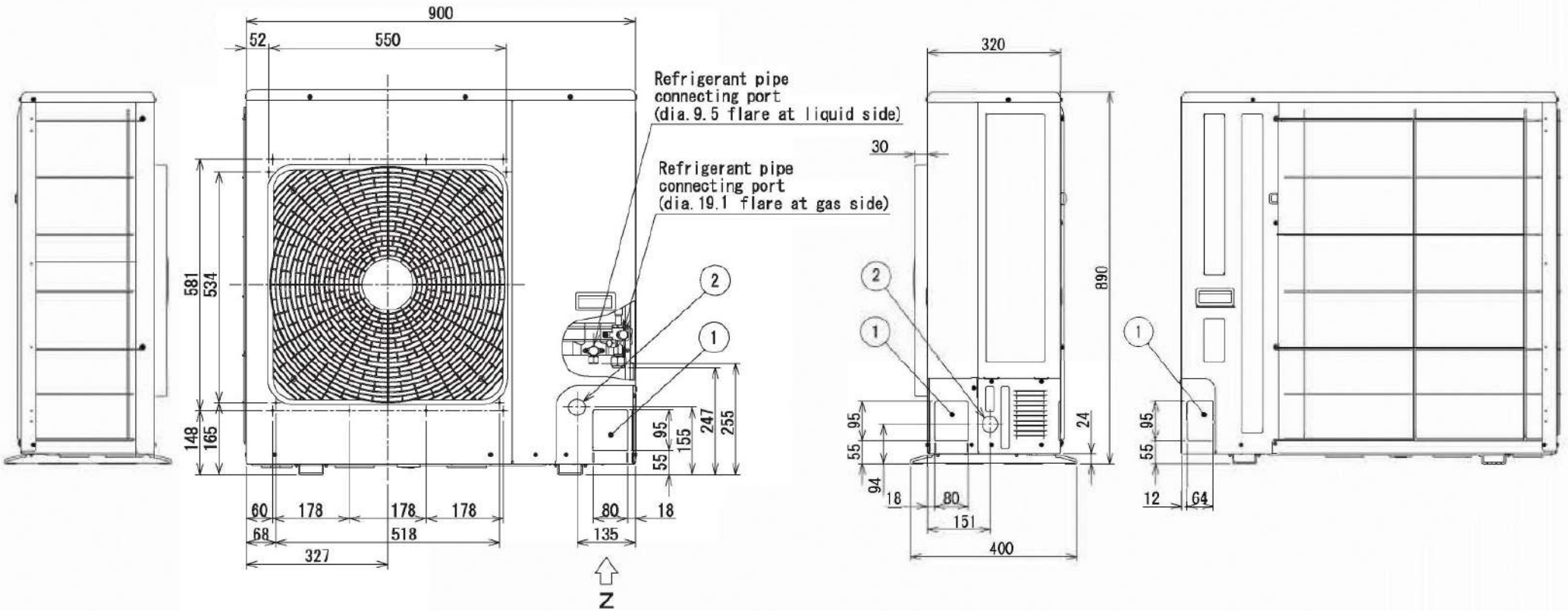
Details of A legs



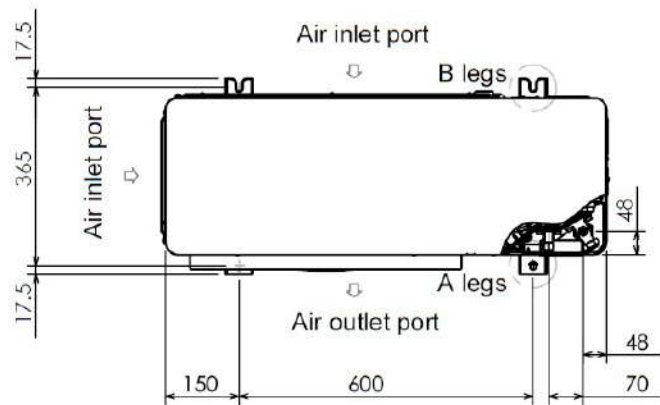
Mounting bolt hole  
(dia. 12 × 17 U-shape hole)

Details of B legs

	Name	Note
①	Refrigerant piping hole Indoor/Outdoor Unit connecting wire inlet hole	—
②	Power supply inlet hole	dia. 38 Knockout hole

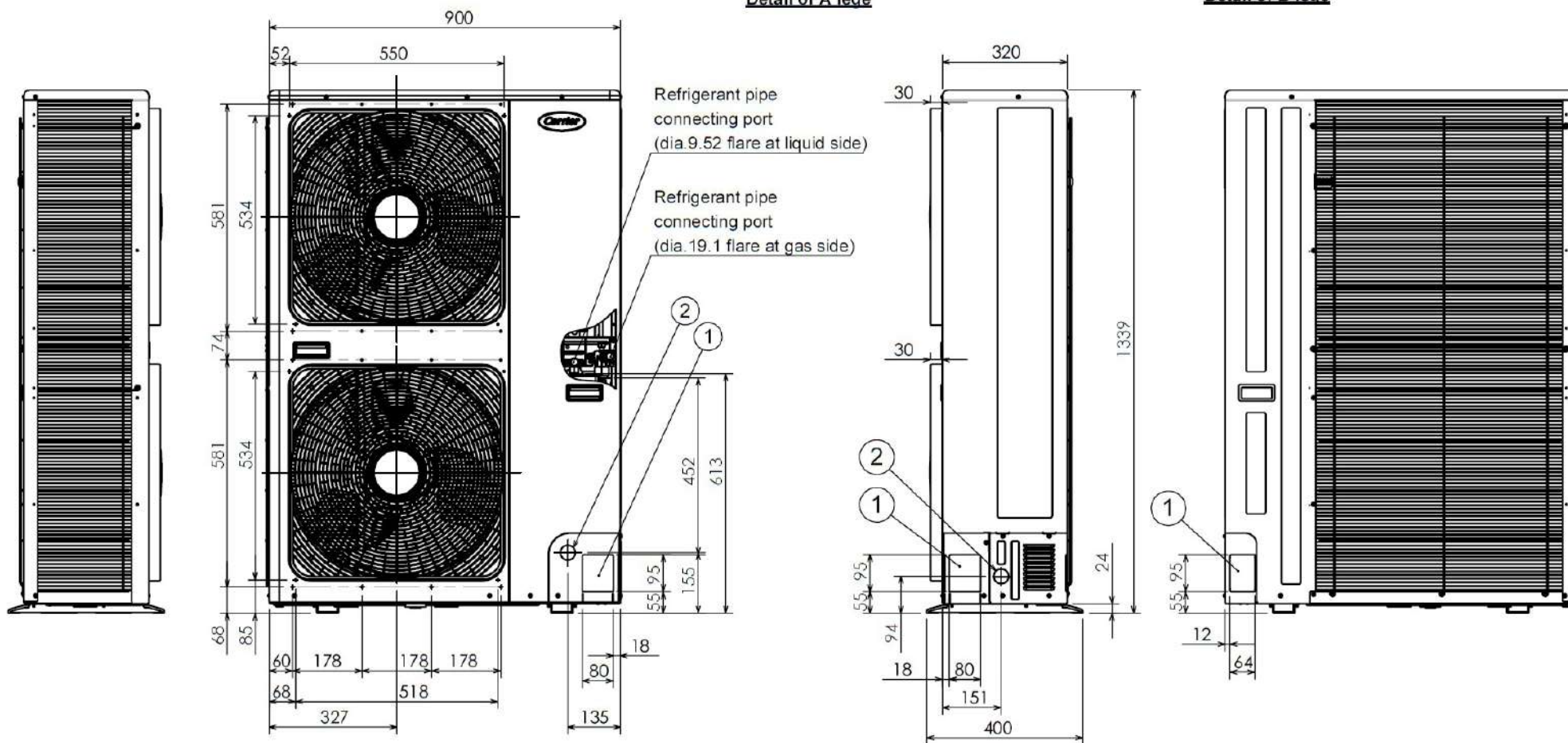
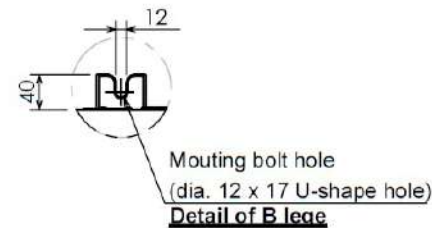


(Unit:mm)



	Name	Note
①	Refrigerant piping hole Indoor/Outdoor Unit connecting wire inlet hole.	—
②	Power supply inlet hole.	dia.38 Knockout hole

Mouting bolt hole  
(dia. 12 x 17 long hole)  
**Detail of A lege**



**38TGF0601A3**