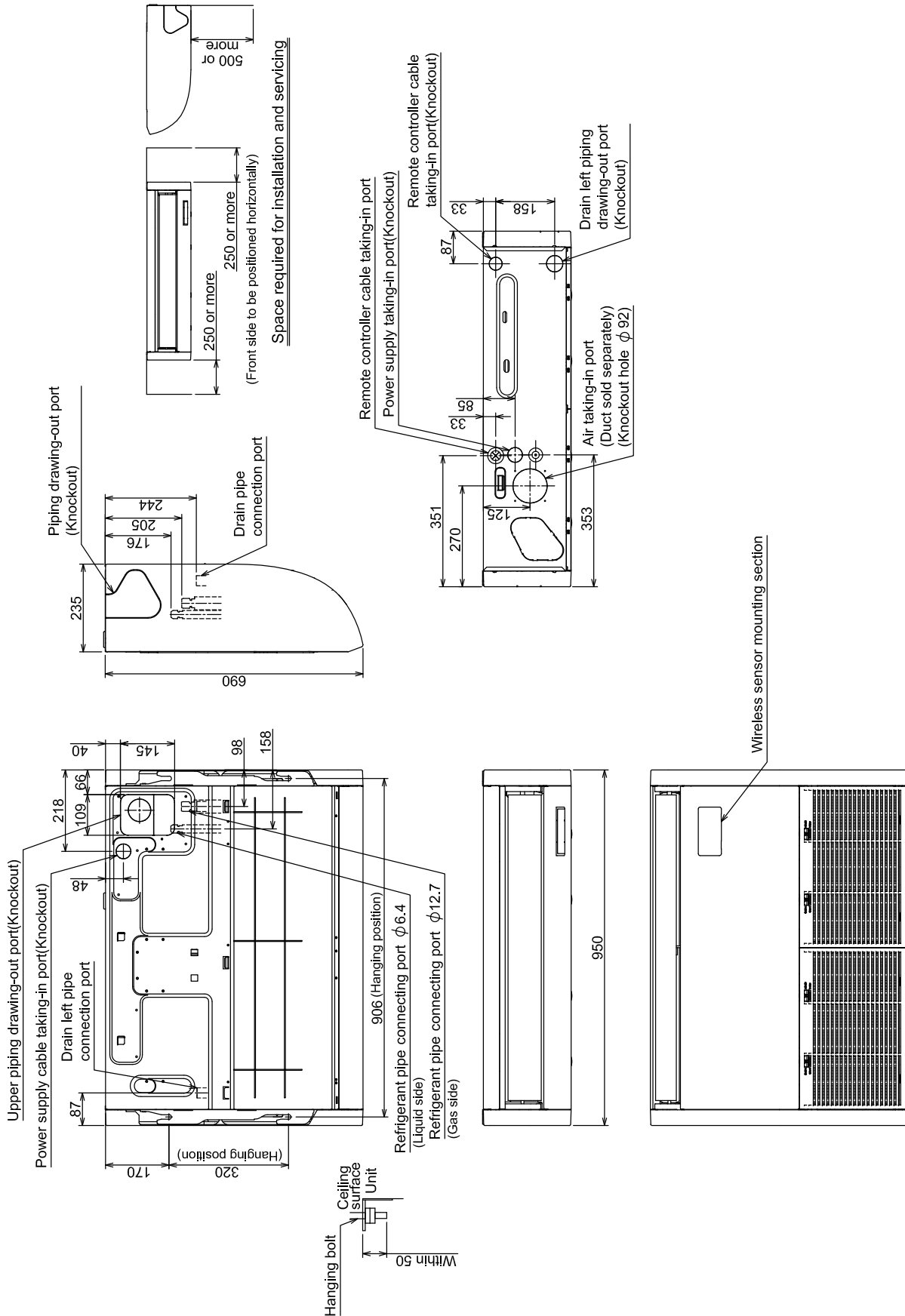


## 2. CONSTRUCTION VIEWS (EXTERNAL VIEWS)

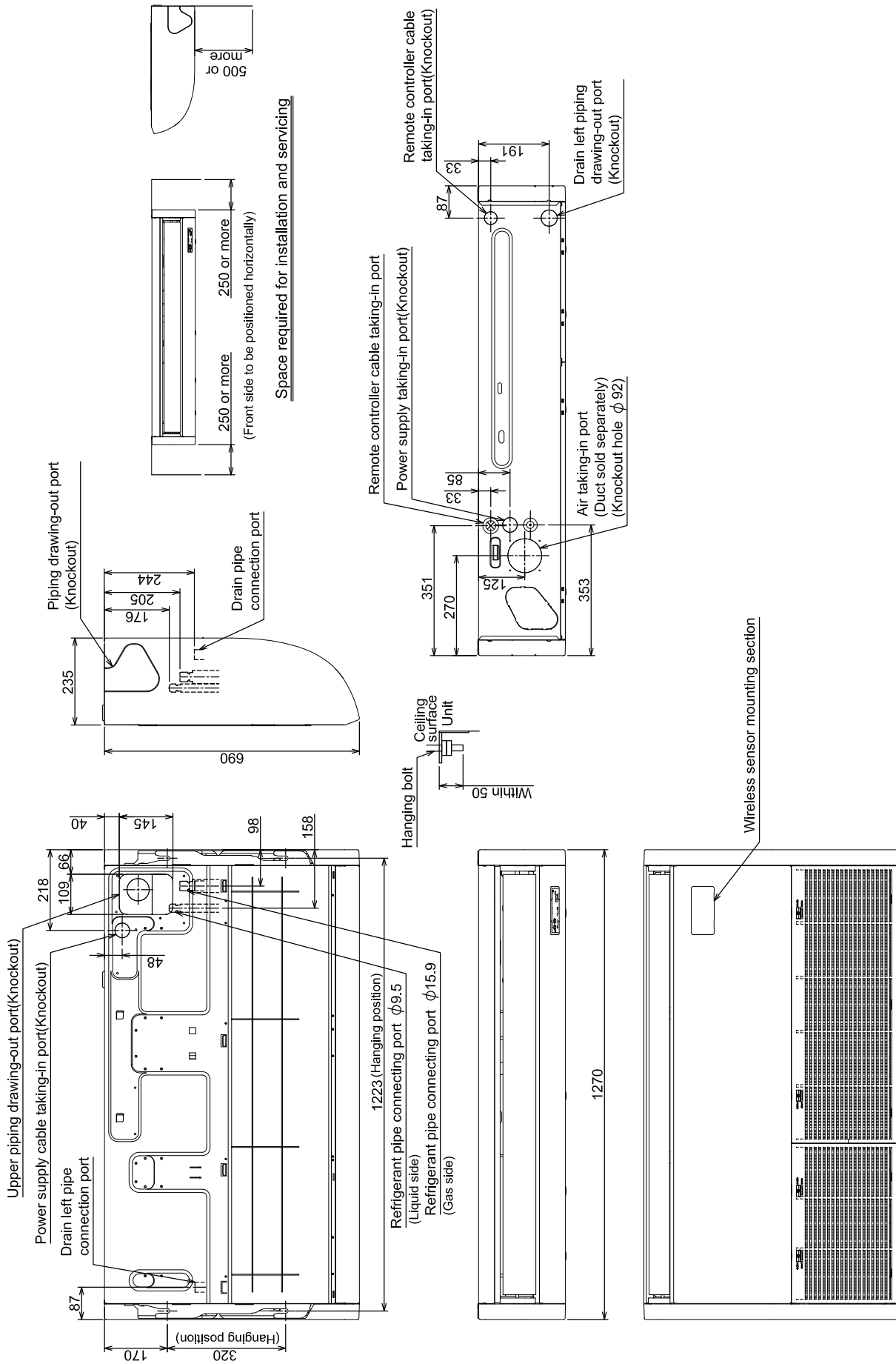
### Indoor Unit

42TGV0131CP, 42TGV0181CP



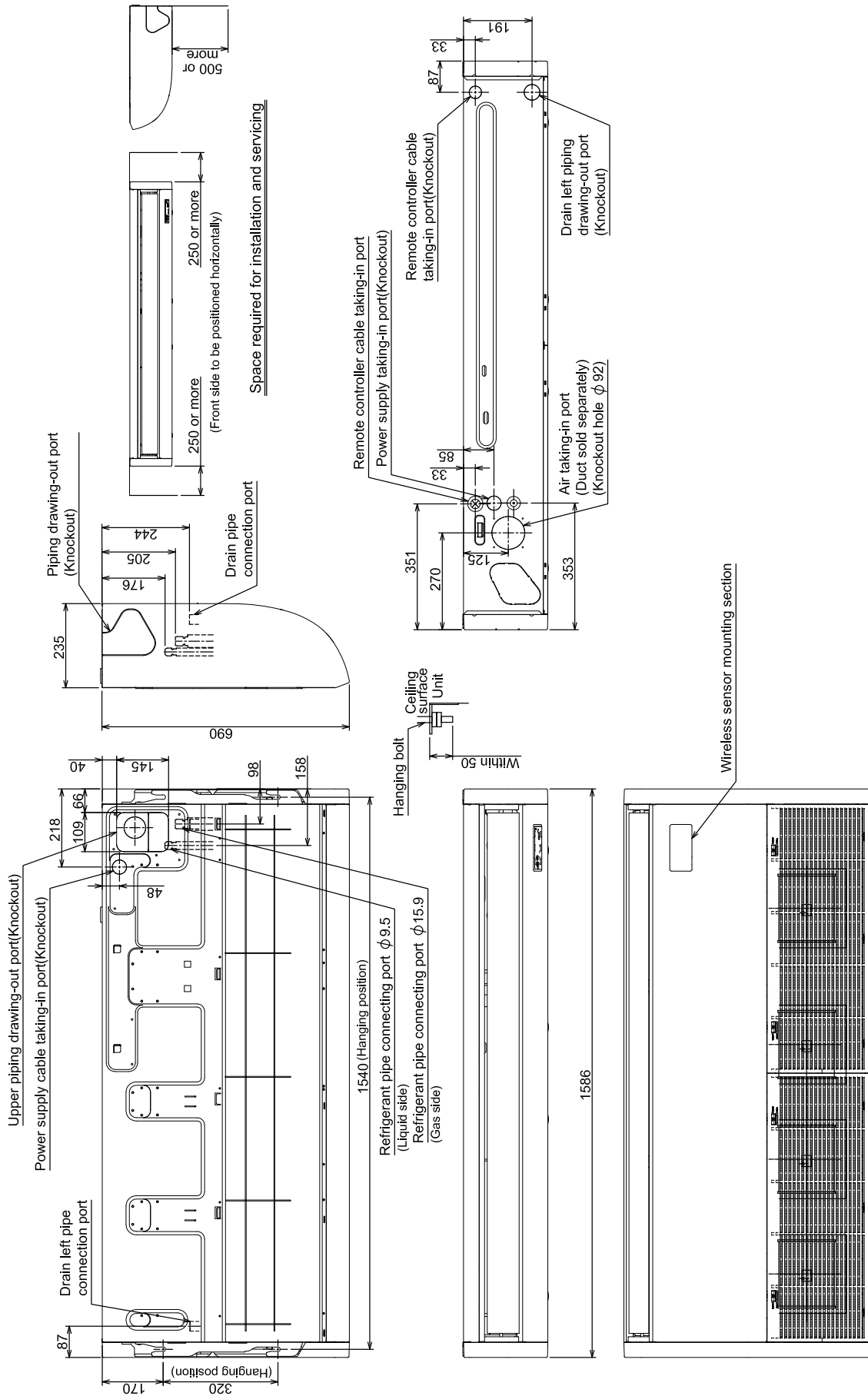
(Unit:mm)

42TGV0241CP, 42TGV0251CP, 42TGV0301CP



(Unit:mm)

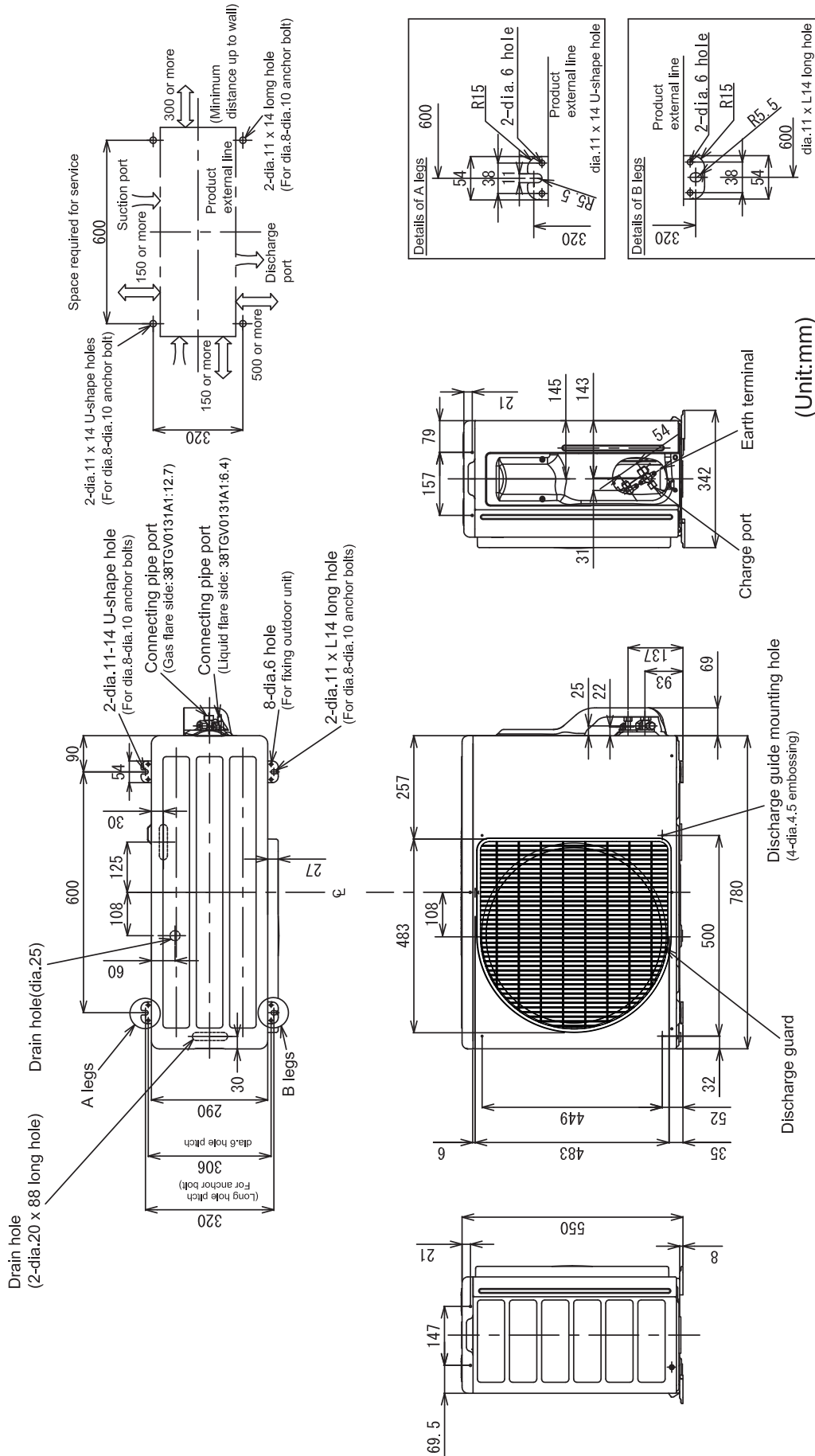
42TGV0361CP, 42TGV0391CP, 42TGV0401CP, 42TGV0481CP, 42TGV0601CP,



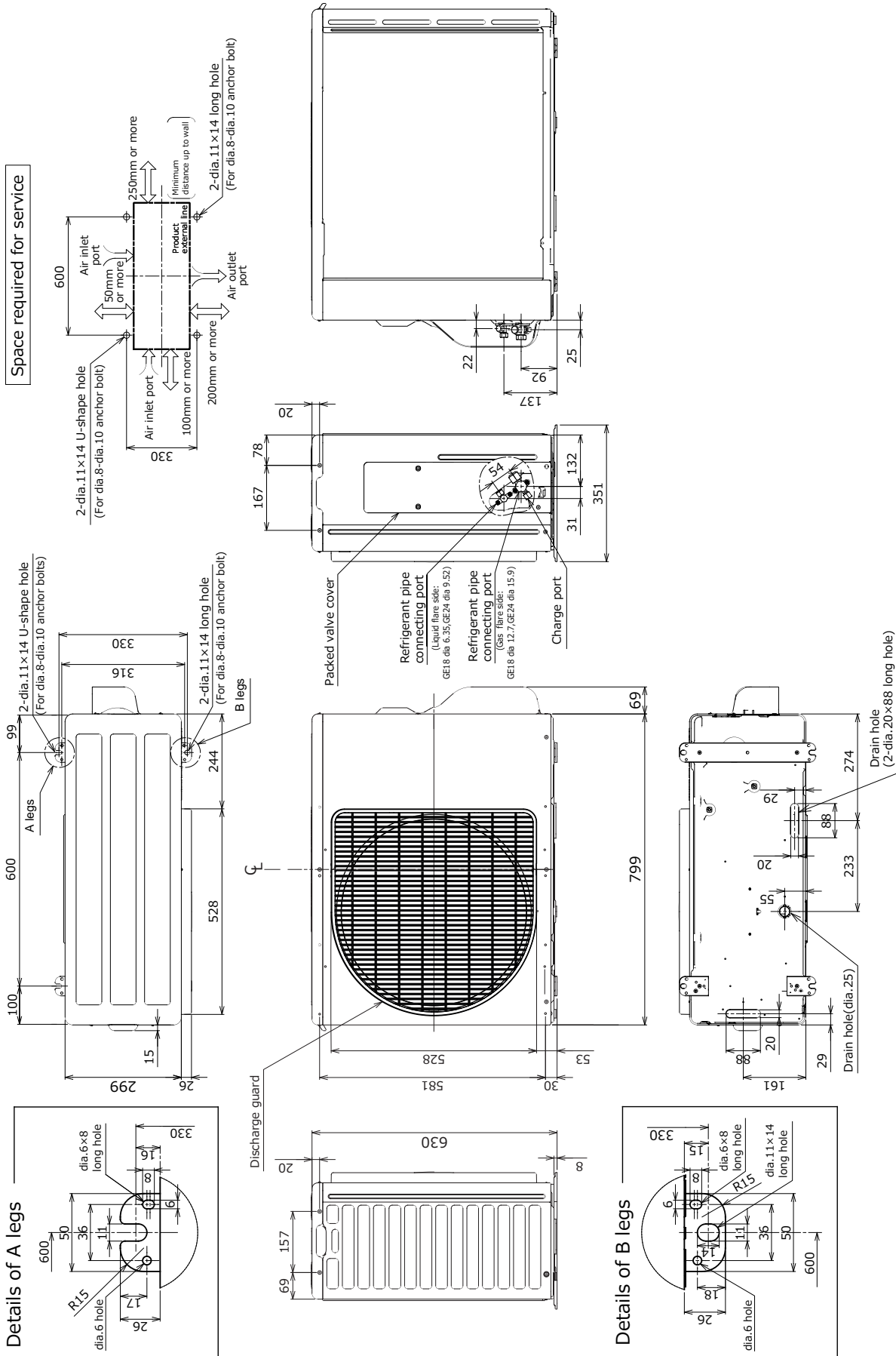
(Unit:mm)

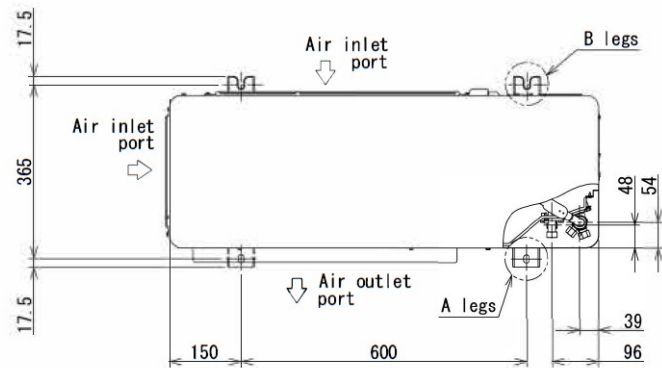
## 2. CONSTRUCTION VIEWS (EXTERNAL VIEWS)

38TGV0131A1



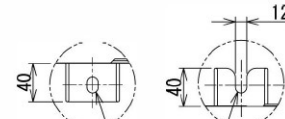
**38TGV0181A1, 38TGV0241A1**





Mounting bolt hole  
(dia. 12×17 long hole)

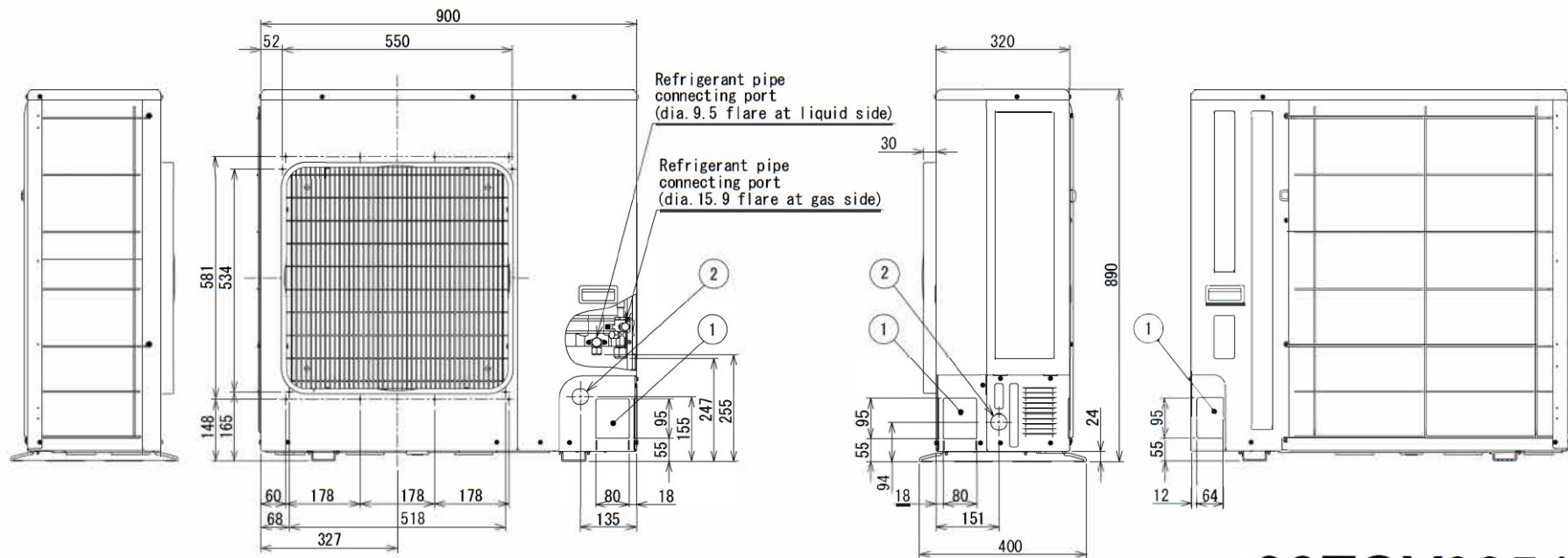
Details of A legs



Mounting bolt hole  
(dia. 12×17 U-shape hole)

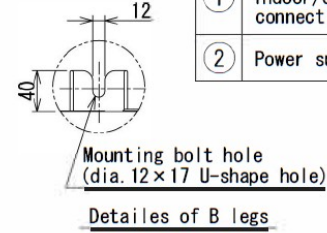
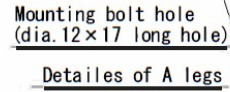
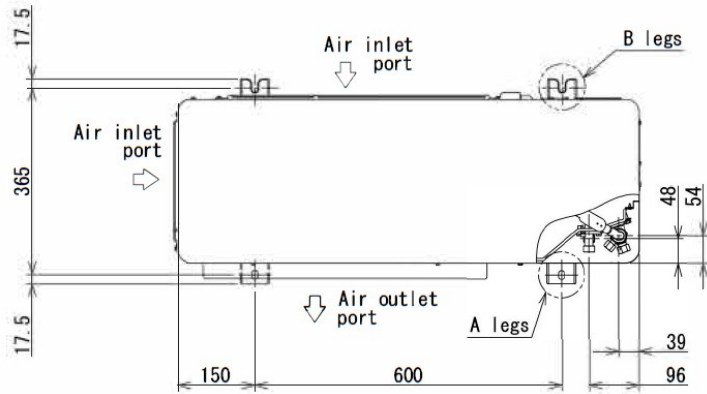
Details of B legs

	Name	Note
①	Refrigerant piping hole Indoor/Outdoor Unit connecting wire inlet hole	—
②	Power supply inlet hole	dia. 38 Knockout hole

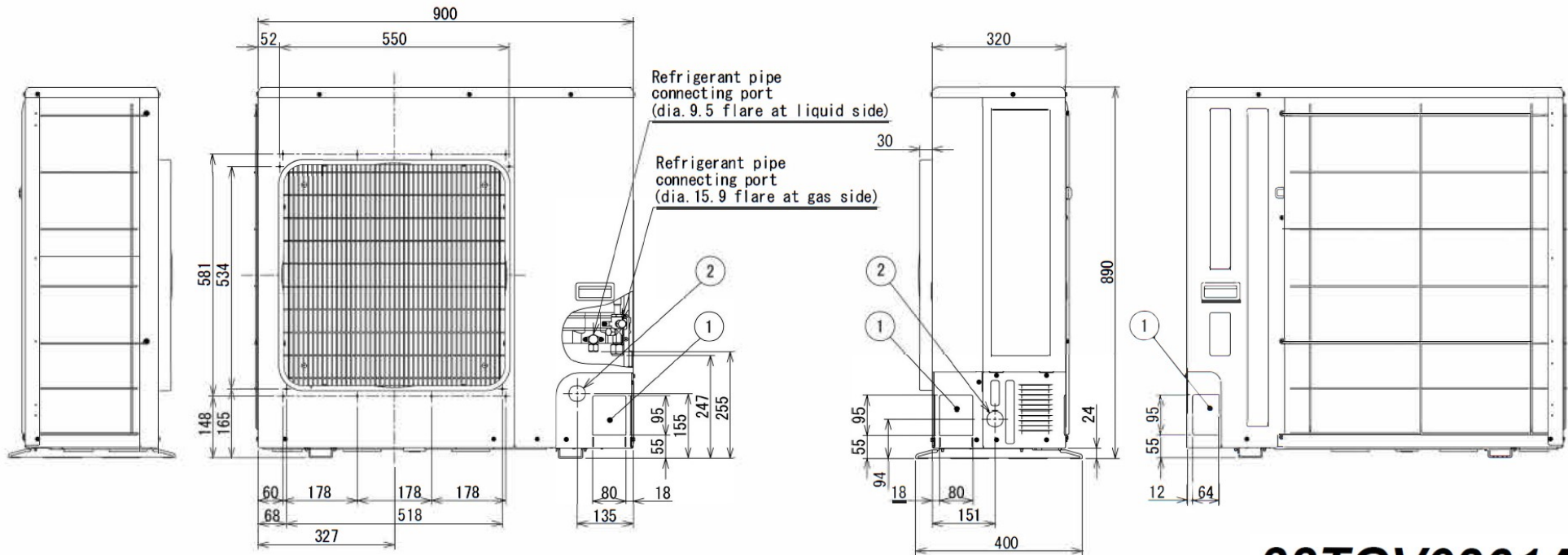


(Unit:mm)

**38TGV0251A1**  
**38TGV0301A1**  
**38TGV0361A1**  
**38TGV0401A1**

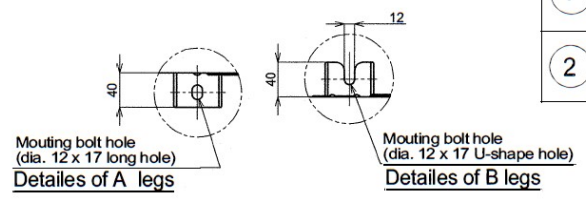
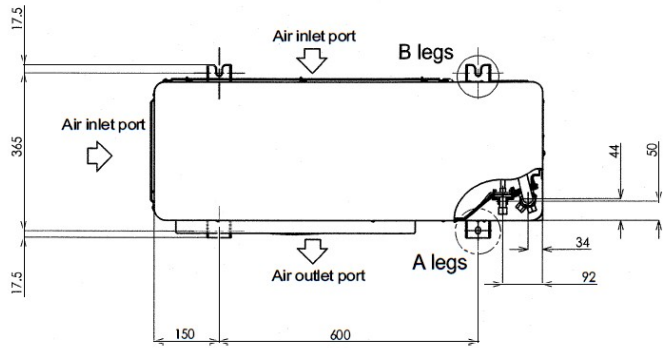


	Name	Note
①	Refrigerant piping hole Indoor/Outdoor Unit connecting wire inlet hole	—
②	Power supply inlet hole	dia. 38 Knockout hole

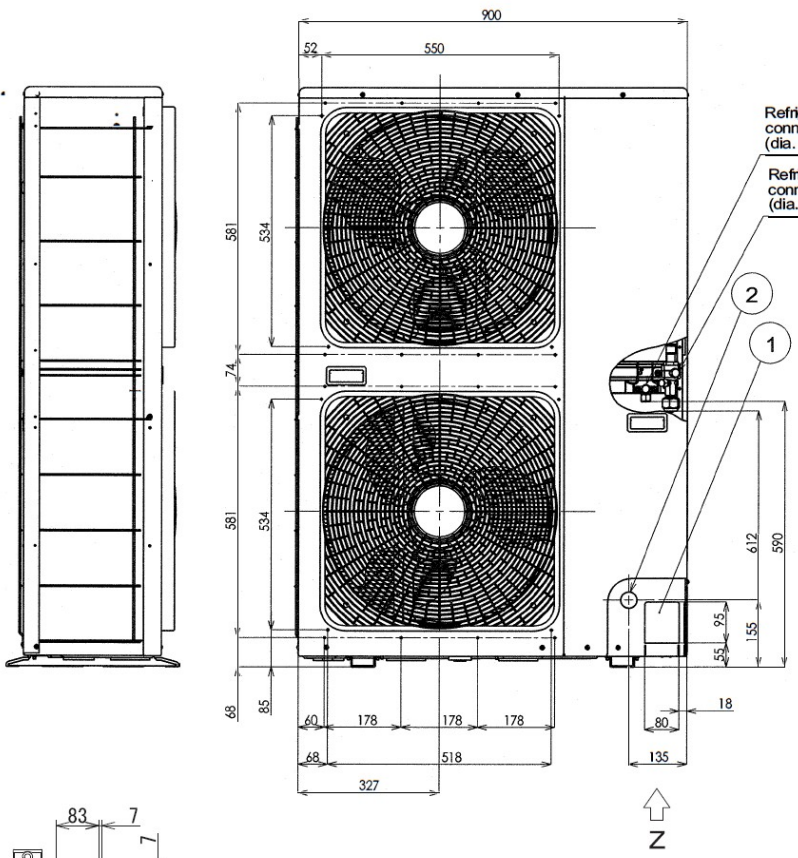


(Unit:mm)

**38TGV0361A3**  
**38TGV0391A3**  
**38TGV0401A3**  
**38TGV0481A3**

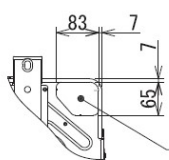
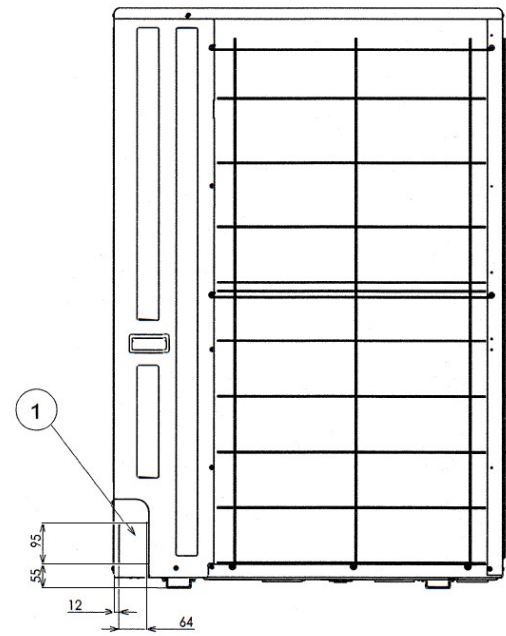
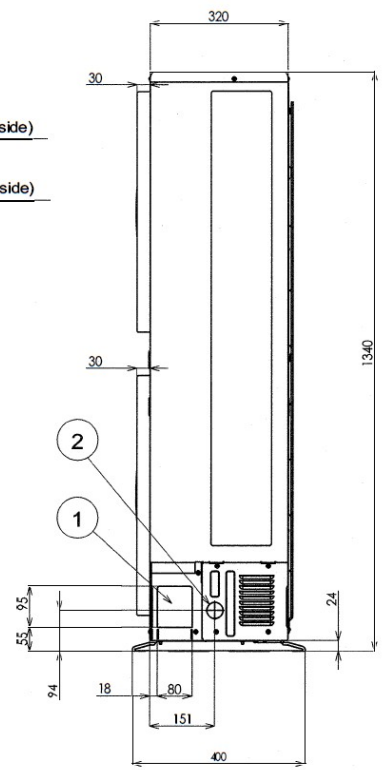


	Name	Note
①	Refrigerant piping hole Indoor/Outdoor Unit connecting wire inlet hole	—
②	Power supply inlet hole	dia.38 Knockout hole



Refrigerant pipe connecting port  
(dia. 9.5 flare at liquid side)

Refrigerant pipe connecting port  
(dia. 19.1 flare at gas side)



Knockout for downward piping

Z views

**38TGV0601A3**