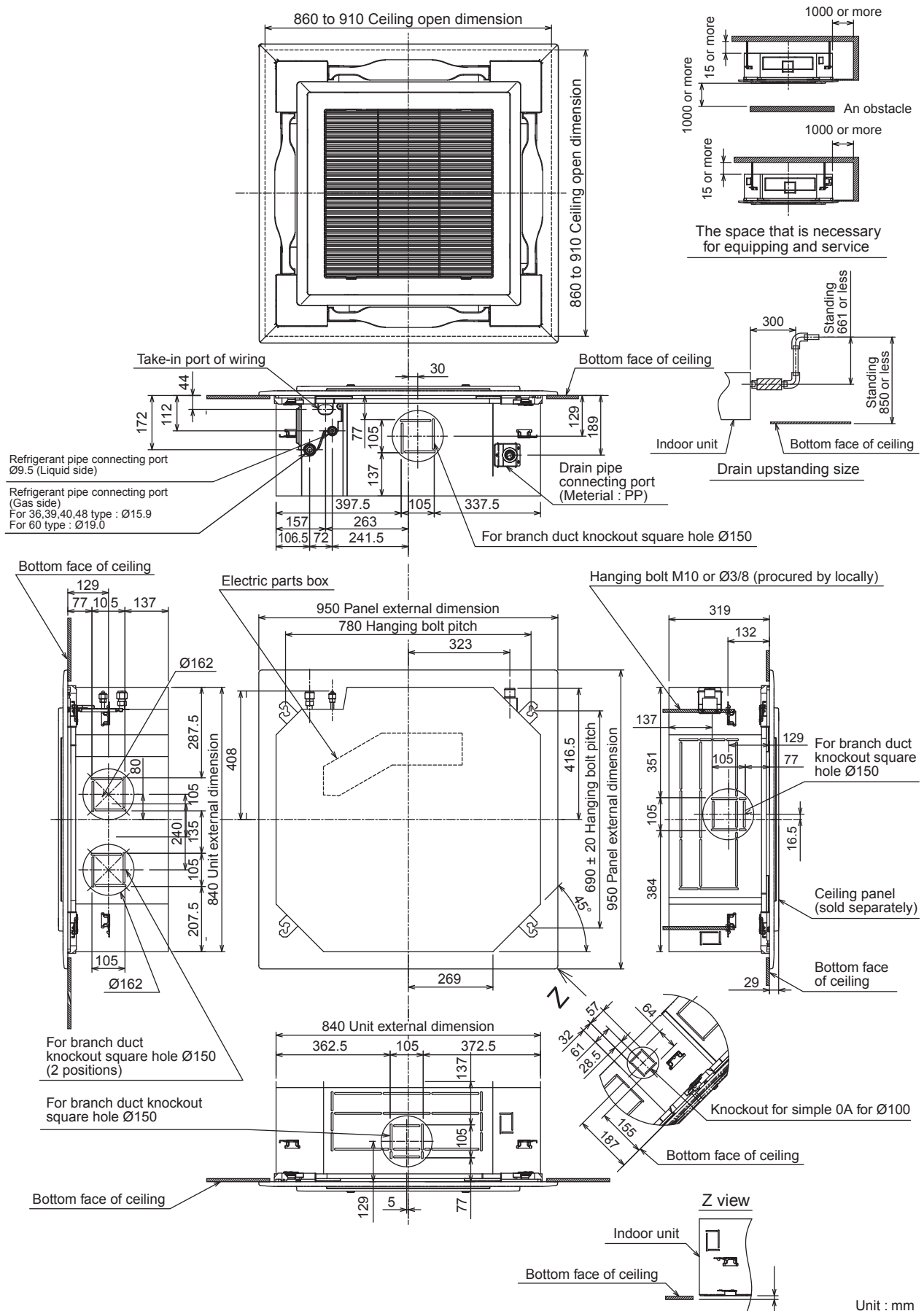


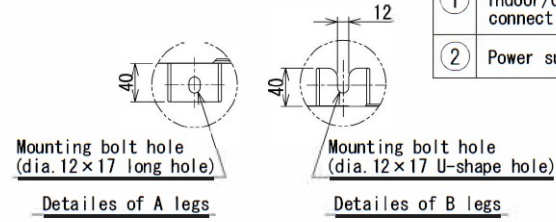
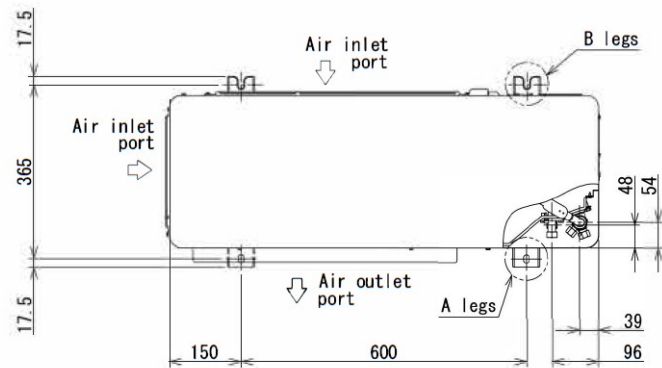


40TGV0361UP, 40TGV0391UP, 40TGV0401UP, 40TGV0481UP, 40TGV0601UP

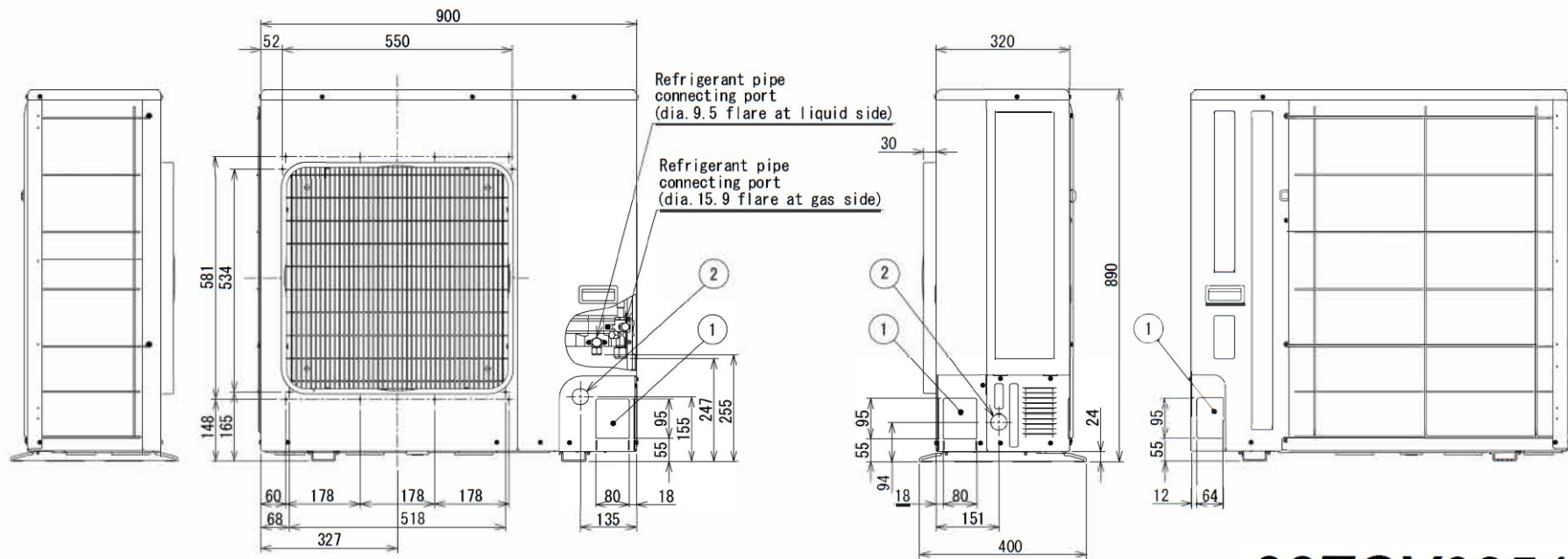






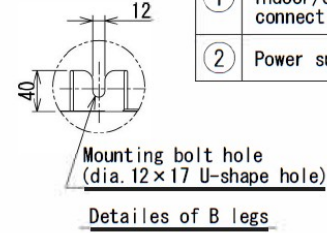
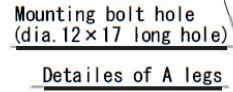
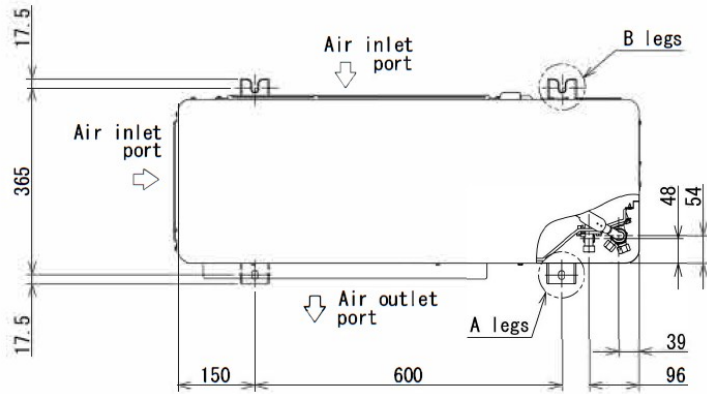


	Name	Note
①	Refrigerant piping hole Indoor/Outdoor Unit connecting wire inlet hole	—
②	Power supply inlet hole	dia. 38 Knockout hole

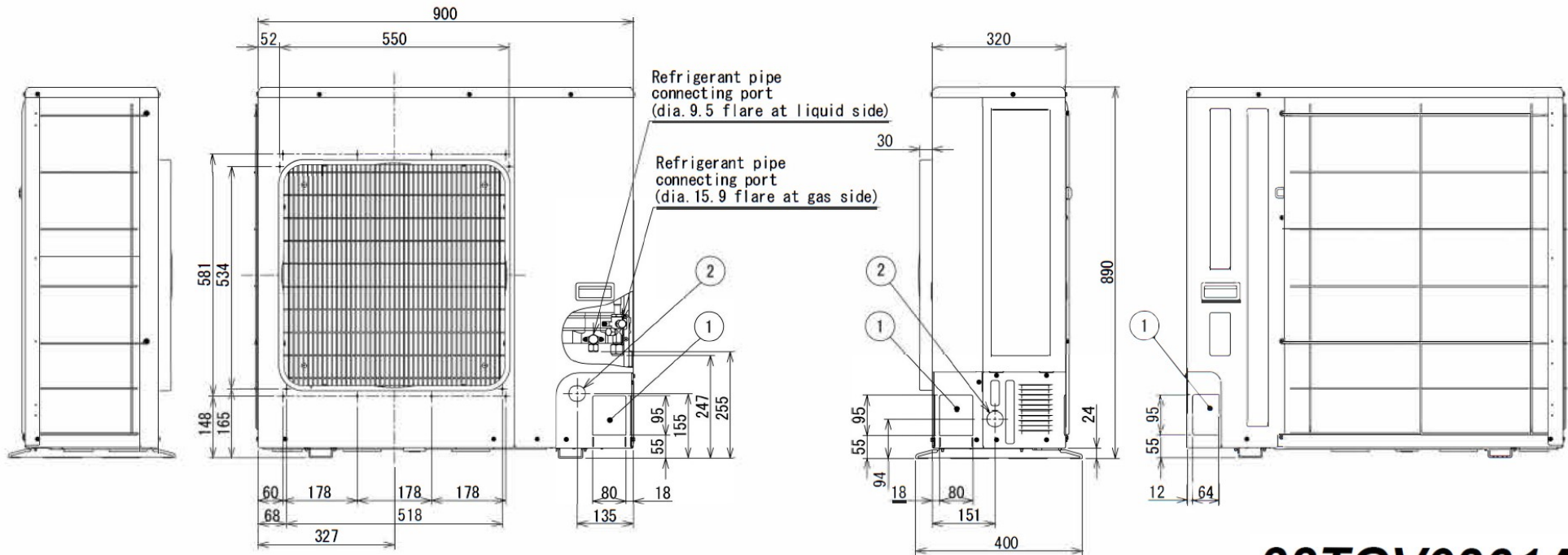


(Unit:mm)

**38TGV0251A1**  
**38TGV0301A1**  
**38TGV0361A1**  
**38TGV0401A1**

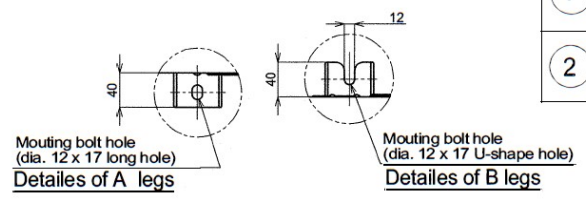
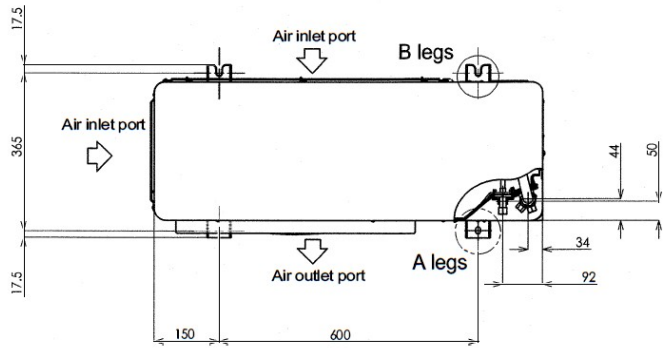


	Name	Note
①	Refrigerant piping hole Indoor/Outdoor Unit connecting wire inlet hole	—
②	Power supply inlet hole	dia. 38 Knockout hole

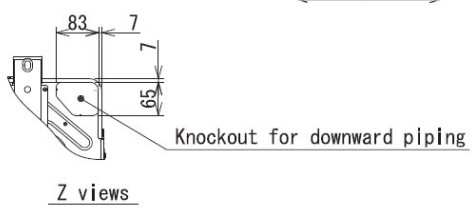
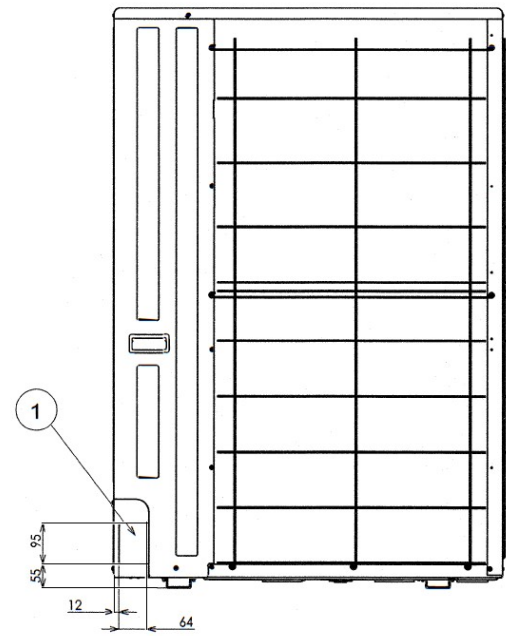
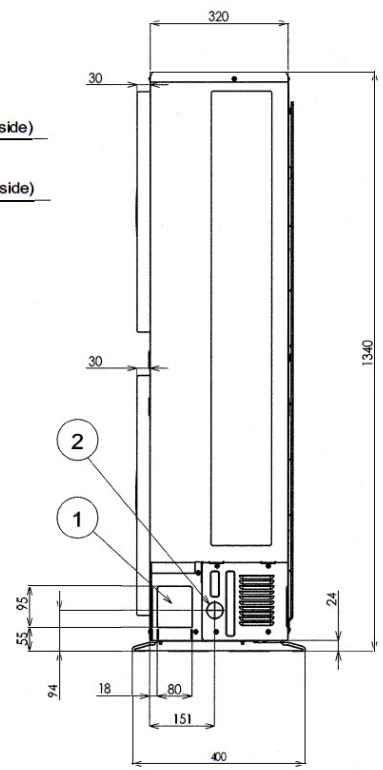
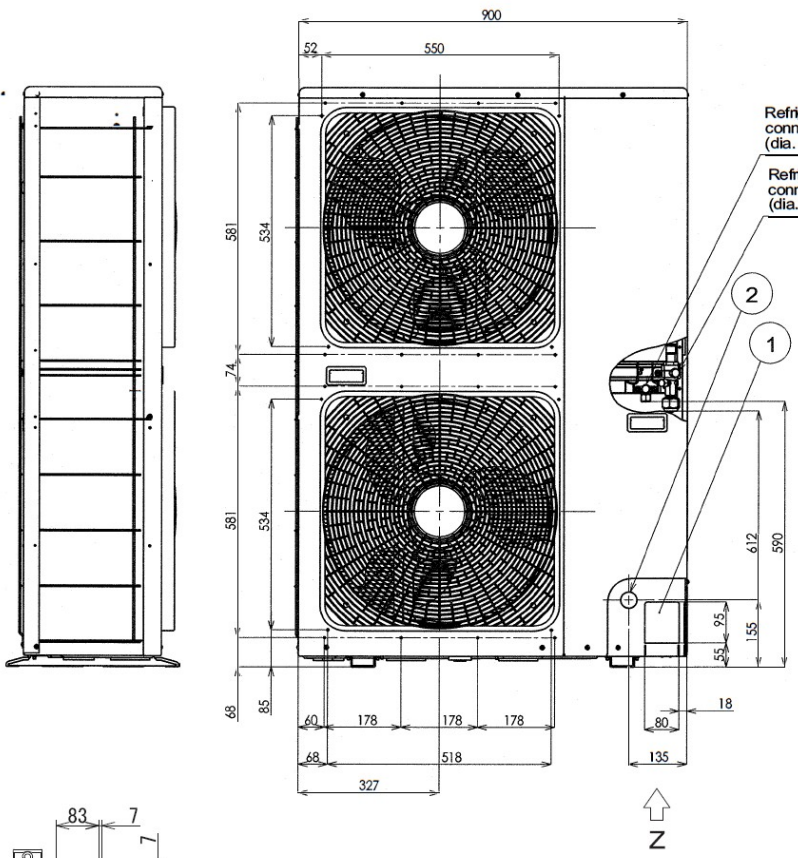


(Unit:mm)

**38TGV0361A3**  
**38TGV0391A3**  
**38TGV0401A3**  
**38TGV0481A3**



	Name	Note
①	Refrigerant piping hole Indoor/Outdoor Unit connecting wire inlet hole	—
②	Power supply inlet hole	dia.38 Knockout hole



**38TGV0601A3**